



**VALVE REGULATED  
LEAD ACID BATTERY (V.R.L.A.)**



**ABSORBED GLASS MAT  
TECHNOLOGY (A.G.M.)**



**10 YEAR DESIGN FOR UPS AND  
STANDBY APPLICATIONS**



**Features**

- Gas recombination greater than 99%.
- Operates at a low internal pressure.
- Never needs watering, minimal maintenance.
- 99.7% pure lead calcium grids.
- Shock absorbent thick wall construction.
- Cold forged non-porous terminal bushings, eliminate post leakage.
- Thermally welded case to cover bond, eliminates both acid and electrical leaks.
- Over-sized, through the partition inter-cell welds provide low resistance connections, with minimal power loss.
- Each cell has a low pressure safety release venting system, recognized per U.L. 924.
- Measured high vacuum acid fill, reduces electrical variability between cells.
- 100% recyclable materials.

**Options**

- The TC-1250S battery has a flame retardant polypropylene case and cover compliant with UL 1778; with an oxygen index greater than 28%.
- Terminal covers and custom inter-connecting battery cables.

**Specifications**

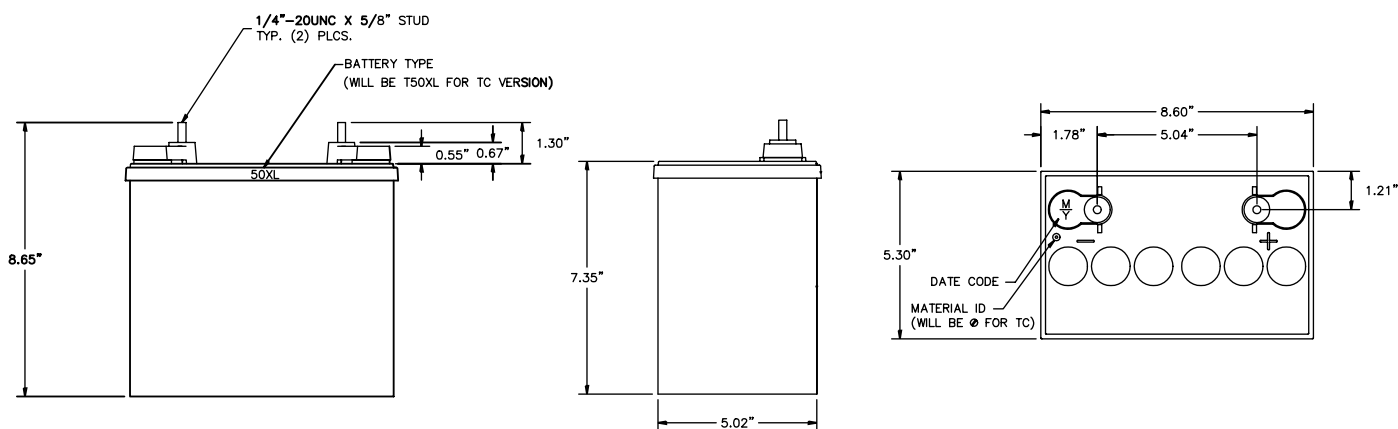
Cells per unit	6
Nominal voltage	12
Terminal type	1/4 " Stud
Maximum discharge current	329 amps
Short circuit current	2733 amps
Impedance @ 77°F 25°C	5.05 milliohms
Weight lbs / kgs	35.3 / 16.0
Electrolyte (S.G.)	1.300
Capacity @ 77°F (25°C) to 1.75 V.P.C.	50.0 AH (20 hrs) 45.2 AH (8 hrs)
Ideal operating temperature range	+68°F (+20°C) to +77°F (+25°C)
Extended operating temperature range	Discharge: -40°F (-40°C) to +140°F (+60°C) Charge: -40°F (-40°C) to +122°F (+50°C)
Float Voltage	13.5 to 13.8 @ 77°F (25°C)
Maximum charging current	C/4 amperes at 100% discharge Unlimited at partial discharge.
AC ripple from charging source	1.5% peak to peak of float charge voltage
Storage	6 months at 77°F (25°C)

**No transport restrictions**

- Surface transport. Classified as non-hazardous material as relates to DOT-CFR Title 49 part 171-189.
- Maritime transport. Non hazardous as per IMDG amendment 27.
- Air transport. Complies with IATA / ICAO, special provision A67.

**DISCHARGE SPECIFICATIONS**

Constant power ratings, Watts per battery @ 77°F (25°C) in minutes										
Final V.P.C.	5	10	15	20	30	40	45	50	60	90
1.60	1851	1373	1059	867	642	515	474	434	378	275
1.67	1788	1347	1048	859	638	512	472	432	376	275
1.70	1761	1337	1041	854	635	511	471	431	376	273
1.75	1670	1259	1003	837	629	506	466	427	372	273



**KS-7 Cabinet**

POWER BATTERY offers an extensive line of pre-wired and fused battery cabinets complete with UL and CUL approval. Standard and custom DC voltages complete with breakers and chargers are available.

Battery Cabinet Systems (pre-wired with PRC/TC-1250S batteries)					
Battery cabinet model	Maximum # of batteries	Dimensions			
		inches / millimeters			Weight lbs / kgs
		W	D	H	
KS4	2	11.5/292	19.0/483	15.75/400	103/46.8
KS5	4	15.0/381	15.0/635	15.75/400	190/86.4
KS6	8	16.0/406	16.0/876	15.75/451	365/165.9
KS7	16	37.3/406	16.0/876	37.25/946	731/332.3
CR1	20	24.0/610	24.0/826	43.0/1092	876/398.2
CR3	36	40.0/1016	40.0/826	43.0/1092	1633/742.3
CR6	54	40.0/1016	40.0/826	60.0/1524	2386/1084.5

### Constant current ratings, Amperes @ 77°F (25°C) in hours

Final V.P.C.	1	2	3	4	5	6	8	10	12	24
1.75	31.1	18.2	13.3	10.4	8.50	7.30	5.60	4.61	3.94	2.12
1.80	30.9	18.1	13.1	10.2	8.40	7.20	5.50	4.59	3.90	2.10
1.85	29.7	17.6	12.7	9.90	8.10	6.90	5.40	4.43	3.77	2.02
1.90	27.3	16.4	11.9	9.30	7.70	6.50	5.00	4.09	3.45	1.87

**U.S.A.**  
Power Battery Company, Inc.  
25 McLean Blvd.  
Paterson, N.J. 07514-1507  
Phone: (973) 523-8630  
Fax: (973) 523-3023  
E-mail: sales@powbat.com  
Website www.powerbattery.com

**CANADA**  
Power Battery (Iberville) Ltd.  
770 Thomas Ave.  
Iberville, Québec, J2X 5E7  
Phone: (450) 346-3273  
Fax: (450) 346-8003  
E-mail: powerbat@sympatico.ca  
Website: www.powerbattery.com

**UK**  
Power Batteries Ltd.  
Premier Way, Abbey Park Industrial Estate  
Romsey, Hampshire, SO51 9AQ  
Phone: +44 (0)1794 835900  
Fax: +44 (0)1794 835910  
E-mail: sales@powbat.co.uk  
Website: www.powbat.co.uk

**ITALY**  
Power Battery Srl  
Via Locatelli 105  
20046 Biassono MI - ITALY  
Phone: +(39) 039 2324571  
Fax: +(39) 039 2499200  
E-mail: calberti@powbat.it  
Website: www.powbat.it

**CHINA**  
Power Battery (PACIFIC RIM) Ltd.  
Unit 1, 23/floor, Wealthy Plaza  
138 Sau Kei Wan Road  
Sai Wan Ho, Hong Kong  
Phone: ++(852) 2-560-2222  
Fax: ++(852) 2-967-8157  
E-mail: bplhk@netvigator.com  
Website: www.powerbattery.com