



**VALVE REGULATED  
LEAD ACID BATTERY (V.R.L.A.)**



**ABSORBED GLASS MAT  
TECHNOLOGY (A.G.M.)**



**10 YEAR DESIGN FOR UPS AND  
STANDBY APPLICATIONS**



### Features

- Gas recombination greater than 99%.
- Operates at a low internal pressure.
- Never needs watering, minimal maintenance.
- 99.7% pure lead calcium grids.
- Shock absorbent thick wall construction.
- Cold forged non-porous terminal bushings, eliminate post leakage.
- Thermally welded case to cover bond, eliminates both acid and electrical leaks.
- Over-sized, through the partition inter-cell welds provide low resistance connections, with minimal power loss.
- Each cell has a low pressure safety release venting system, recognized per U.L. 924.
- Measured high vacuum acid fill, reduces electrical variability between cells.
- 100% recyclable materials.

### Options

- The TC-1235L battery has a flame retardant polypropylene case and cover compliant with UL1778; with an oxygen index greater than 28%.
- Terminal covers and custom inter-connecting battery cables.

### Specifications

Cells per unit	6
Nominal voltage	12
Terminal type	"L"
Maximum discharge current	245 amps
Short circuit current	1883 amps
Impedance @ 77°F 25°C	7.33 milliohms
Weight lbs / kgs	26.1 / 12.1
Electrolyte (S.G.)	1.300
Capacity @ 77°F (25°C) to 1.75 V.P.C.	32.2 AH (20 hrs) 29.2 AH (8 hrs)
Ideal operating temperature range	+68°F (+20°C) to +77°F (+25°C)
Extended operating temperature range	Discharge: -40°F (-40°C) to +140°F (+60°C) Charge: -40°F (-40°C) to +122°F (+50°C)
Float Voltage	13.5 to 13.8 @ 77°F (25°C)
Maximum charging current	C/4 amperes at 100% discharge Unlimited at partial discharge.
AC ripple from charging source	1.5% peak to peak of float charge voltage
Storage	6 months at 77°F (25°C)

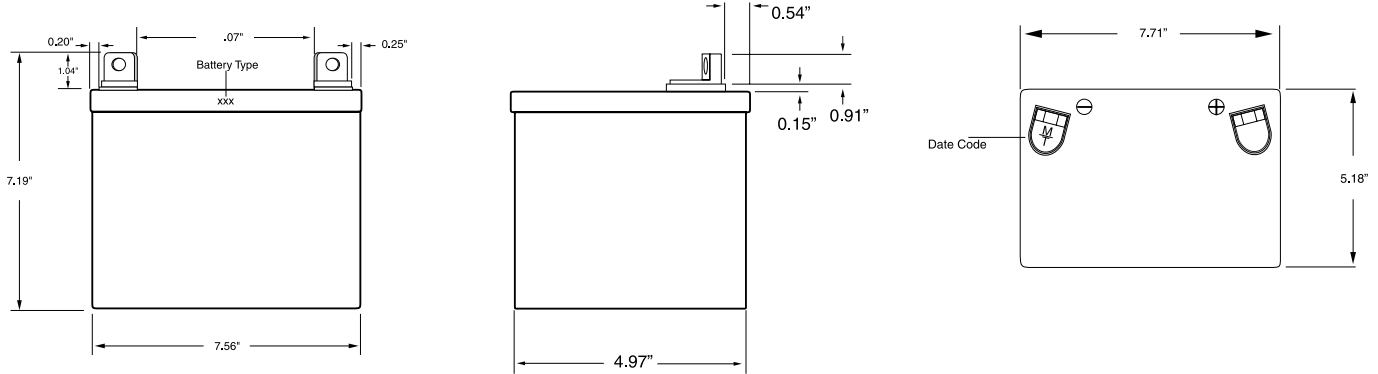
### No transport restrictions

- Surface transport. Classified as non-hazardous material as relates to DOT-CFR Title 49 part 171-189.
- Maritime transport. Non hazardous as per IMDG amendment 27.
- Air transport. Complies with IATA / ICAO, special provision A67.

### DISCHARGE SPECIFICATIONS

#### Constant power ratings, Watts per battery @ 77°F (25°C) in minutes

Final V.P.C.	5	10	15	20	30	40	45	50	60	90
1.60	1519	960	722	582	428	343	316	289	252	184
1.67	1463	942	712	575	424	341	314	288	250	183
1.70	1417	935	709	573	423	340	313	287	250	182
1.75	1350	913	700	568	419	337	311	285	248	181



**KS6 cabinet model**

POWER BATTERY offers an extensive line of pre-wired and fused battery cabinets complete with UL and CUL approval. Standard and custom DC voltages complete with breakers and chargers are available.

Battery Cabinet Systems (pre-wired with PRC/TC-1235L batteries)					
Battery cabinet model	Maximum # of batteries	Dimensions			Weight lbs / kgs
		inches / millimeters			
		W	D	H	
KS3	4	8.75/7.75	24.0/222	197/610	129/58.6
KS4	4	13.0/11.5	19.0/330	292/482	141/64.1
KS5	6	15.75/15.0	25.0/400	381/635	211/95.9
KS6	8	17.75/16.0	34.5/451	406/876	297/135
KS7	16	37.25/16.0	34.5/946	406/876	593/269.5
CR1	24	43.0/24.0	32.5/1092	610/826	925/420.4
CR3	36	43.0/40.0	32.5/1092	1016/826	1323/601.2

Constant current ratings, Amperes @ 77°F (25°C) in hours										
Final V.P.C.	1	2	3	4	5	6	8	10	12	24
1.75	20.3	11.8	8.50	6.70	5.50	4.70	3.60	2.98	2.55	1.37
1.80	20.0	11.7	8.40	6.60	5.40	4.60	3.60	2.97	2.52	1.36
1.85	19.2	11.4	8.20	6.40	5.20	4.50	3.50	2.87	2.44	1.31
1.90	17.7	10.6	7.60	6.00	4.90	4.20	3.20	2.65	2.23	1.21