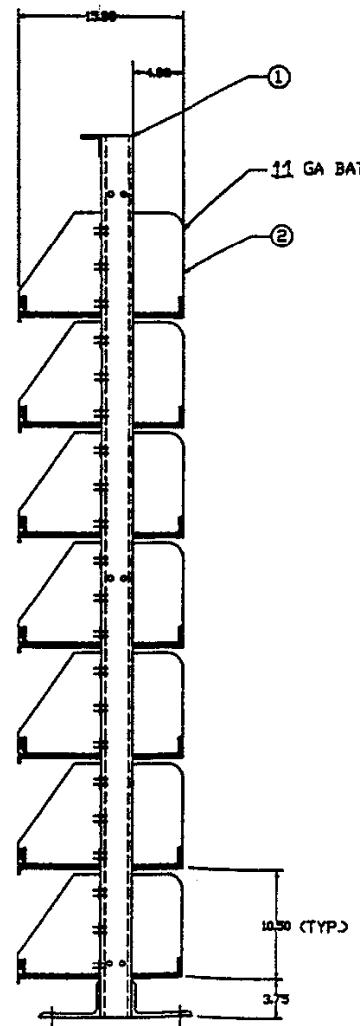
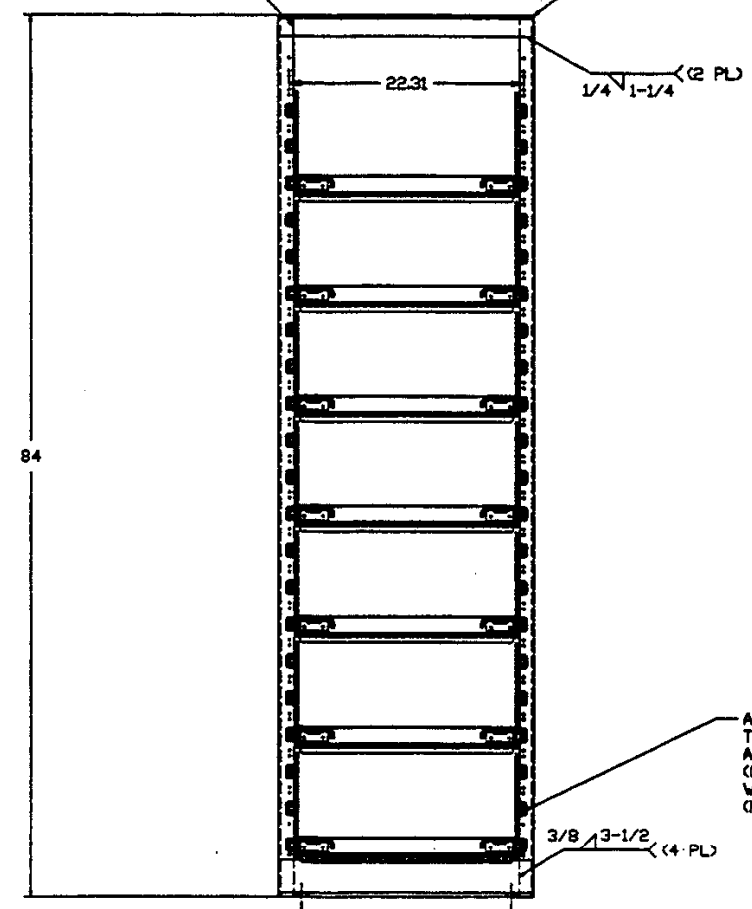
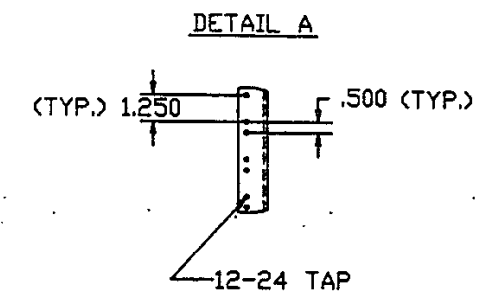
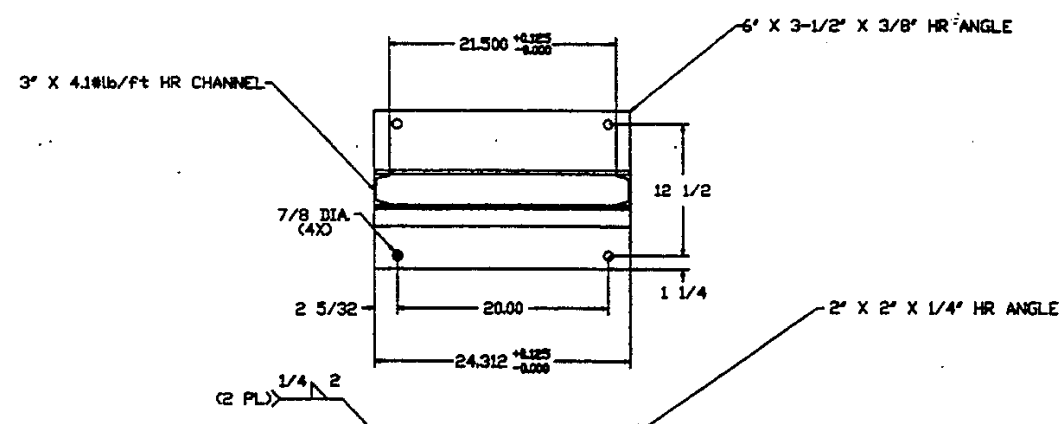
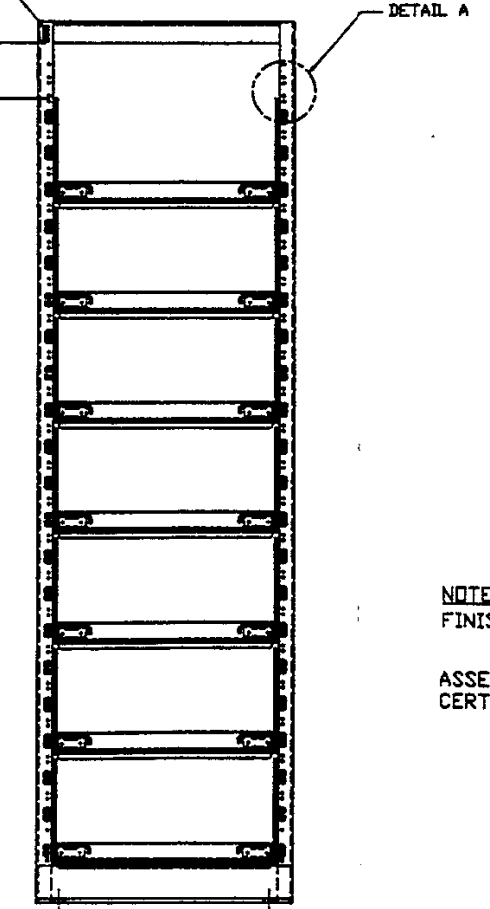


REVISIONS			
ZONE/LTR	DESCRIPTION	DATE	APPROVED

BATTERY TRAY NOT SHOWN IN THE TOP VIEW



#1/4-20 Tapped Holes (20 Mask for grounding using Rectangular area 1/2' x 1-1/2')



ASSEMBLE THE TRAY TO THE RACK USING A #12-24 X 5/8' L.G. (GRD.#5) INDENTED HEX WASHER HD. SCREW (MINIMUM 8X)

NOTES:
FINISH-EPOXY POWDER, ASA 61 GREY

ASSEMBLY IS QUALIFIED AND CERTIFIED FOR UBC SEISMIC ZONE 0

THIS DOCUMENT CONTAINS PROPRIETARY DATA OF SMTI AND JCI. NO DISCLOSURE, REPRODUCTION OR USE OF ANY PART THEREOF MAY BE MADE WITHOUT WRITTEN PERMISSION. THIS IS A CAD GENERATED DRAWING. NO MANUAL CHANGES ALLOWED.

FRONT VIEW

RIGHT SIDE VIEW

REAR VIEW

BILL OF MATERIALS			
QTY	ITEM	PART NUMBER	DESCRIPTION
7	2	SBTSR23	ROLLER BALL TRAY 16" DEEP
1	1	RR2373	RELAY RACK 7 FT 25" / 5" FRAME

UNLESS OTHERWISE SPECIFIED DIMENSIONS ARE IN INCHES TOLERANCES FRACTIONAL/DECIMAL/INCHES OR MILLIMETERS/DECIMAL/MILLIMETERS	CONTR. DRAWN BY 11/11/97	JOHNSON CONTROLS, INC. SPECIALTY BATTERY	
MATERIAL: AS NOTED	CHECKED	Z-0 ROLLER SHELF RELAY RACK ASSY-7 TIER (TEL 12-30 & 45)	
FINISH: AS NOTED	APPROVED	SIZE: D	CODE IDENT NO. SBRR-7RTS 0
NEXT ASSY: APPLICATION	DESIGN ACT APPVL	DRAWING NO. SBRR-7RTS 0	REV. 0
	DRY ACT APPVL	SCALE: NONE	SHEET 1 OF 1