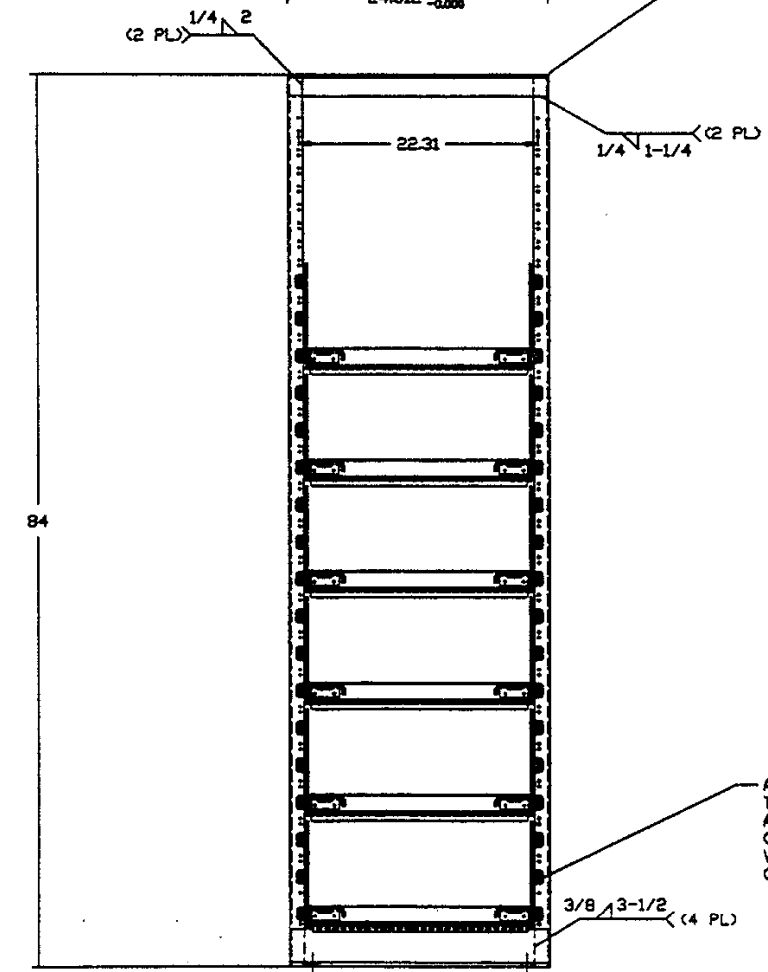
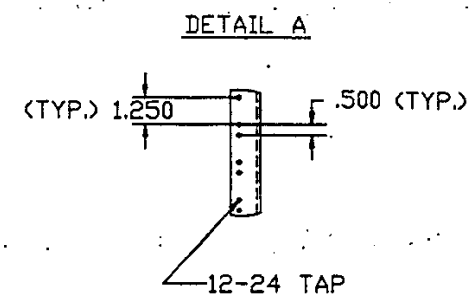
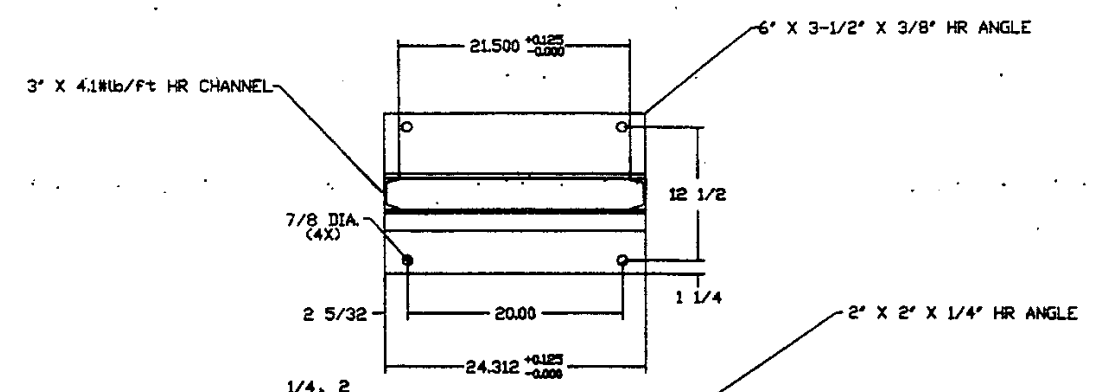
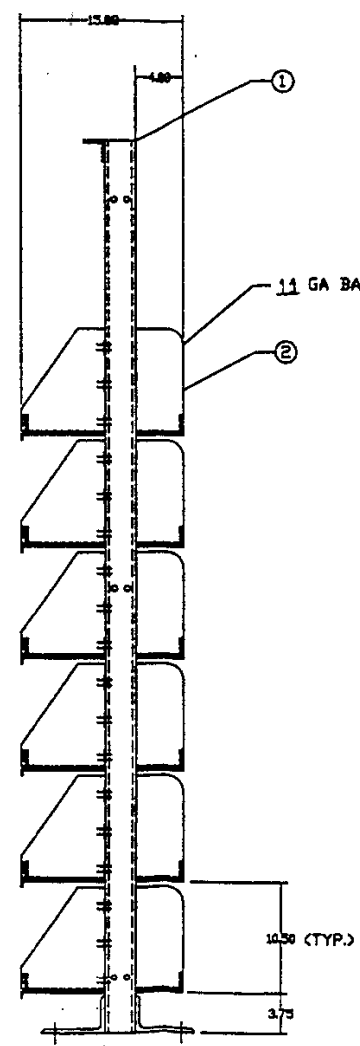


REVISIONS				
ZONE	LTR	DESCRIPTION	DATE	APPROVED

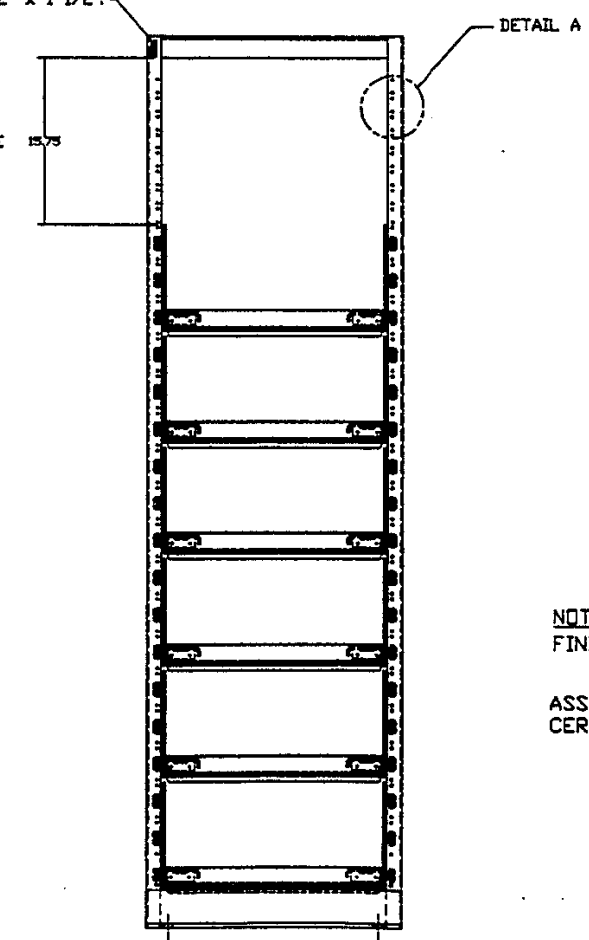
BATTERY TRAY NOT SHOWN IN THE TOP VIEW



ASSEMBLE THE TRAY TO THE RACK USING A #12-24 X 5/8' LG. (GRD.#5) INDENTED HEX WASHER HD. SCREW (MINIMUM 8X)



#1/4-20 Tapped Holes (2X) Mask for grounding using Rectangular area 1/2' x 1-1/2'.



NOTES:  
FINISH-EPOXY POWDER, ASA 61 GREY  
  
ASSEMBLY IS QUALIFIED AND CERTIFIED FOR UBC SEISMIC ZONE 0

THIS DOCUMENT CONTAINS PROPRIETARY DATA OF SHFT AND JCI. NO DISCLOSURE, REPRODUCTION, OR USE OF ANY PART THEREOF MAY BE MADE WITHOUT WRITTEN PERMISSION. THIS IS A CAD GENERATED DRAWING. NO MANUAL CHANGES ALLOWED.

BILL OF MATERIALS			
QTY	ITEM	PART NUMBER	DESCRIPTION
6	2	SBTSR23	ROLLER BALL TRAY 16" DEEP
1	1	RB2373	RELAY RACK 7 FT 23" /5' FRAME

CONTR.	JOHNSON CONTROLS, INC.
DRAWN BY	11/11/97
CHECKED	
APPROVED	
DESIGN ACT APPVL	
GOVT ACT APPVL	
SIZE	D
CODE IDENT NO.	
DRAWING NO.	SBRR-6RTS
REV.	0
SCALE	NONE
SHEET	1 of 1

FRONT VIEW

RIGHT SIDE VIEW

REAR VIEW