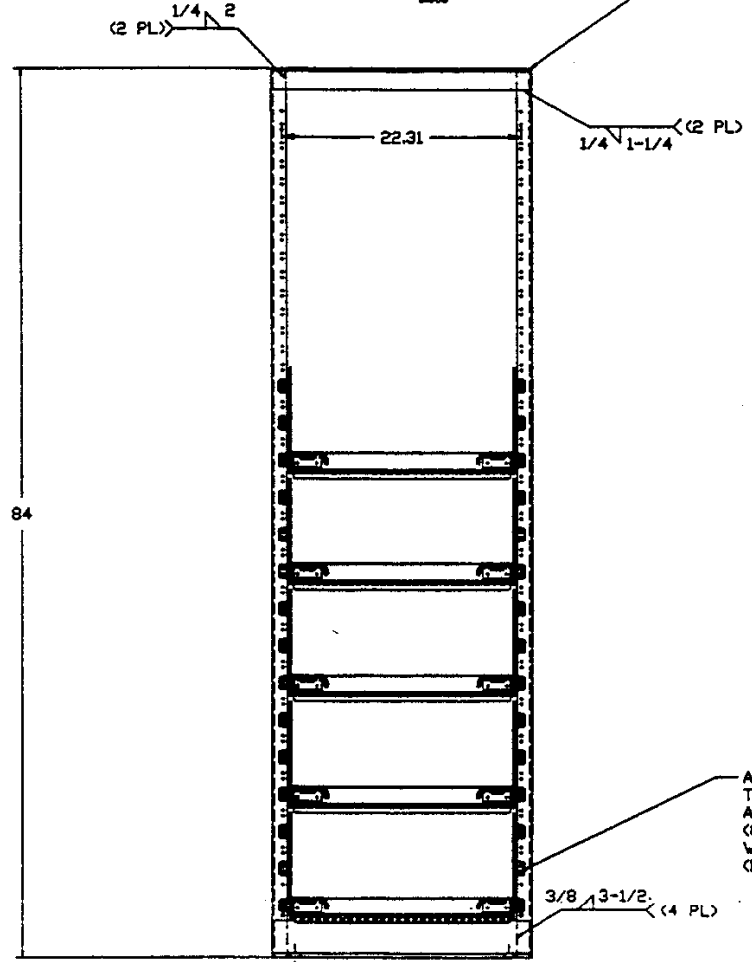
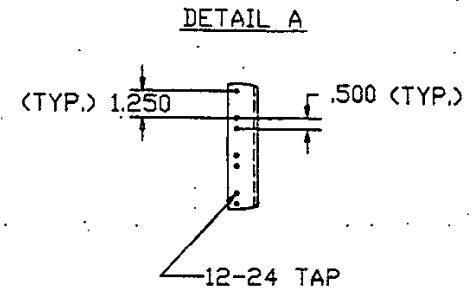
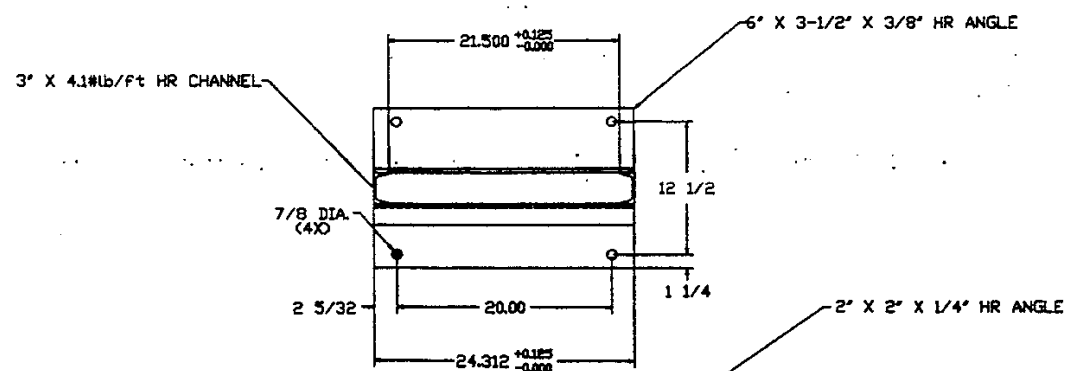
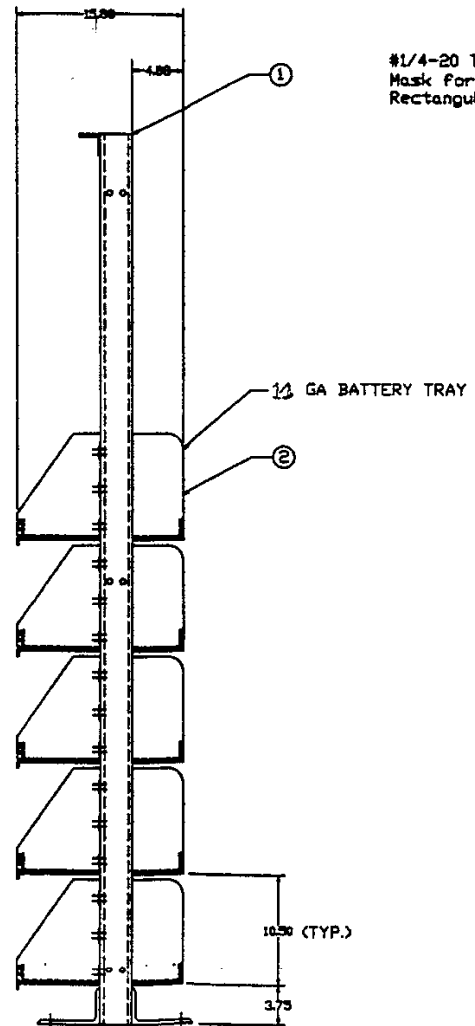


REVISIONS				
ZONE	LTR	DESCRIPTION	DATE	APPROVED

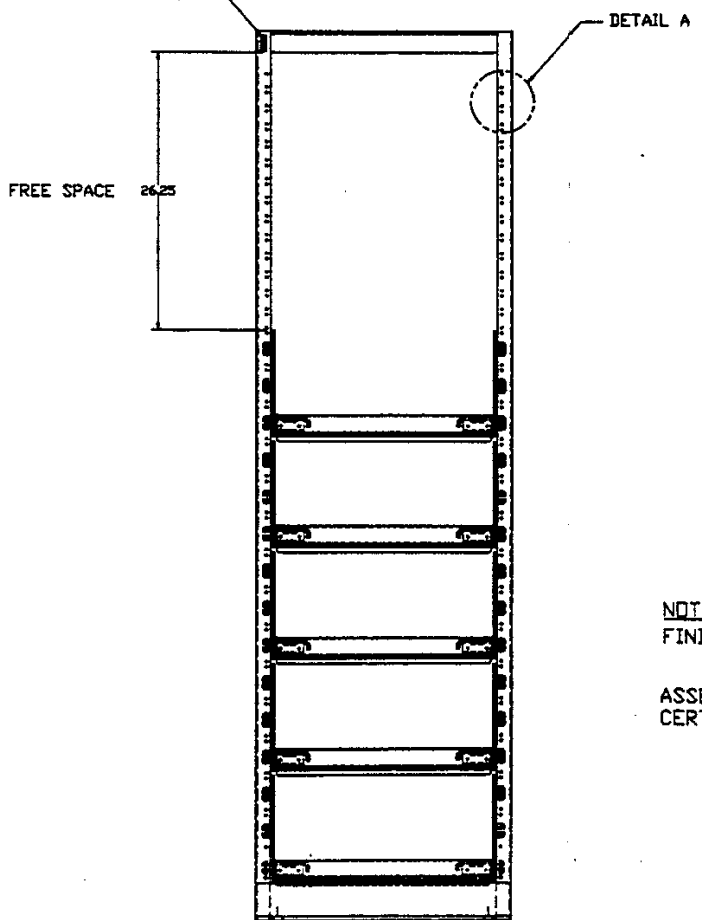
BATTERY TRAY NOT SHOWN IN THE TOP VIEW



ASSEMBLE THE TRAY TO THE RACK USING A #12-24 X 5/8" L.G. (GRD.#5) INDENTED HEX WASHER HD. SCREW (MINIMUM 8X)



#1/4-20 Tapped Holes (2X) Mask for grounding using Rectangular area 1/2" x 1-1/2".



NOTES:
FINISH-EPoxy POWDER, ASA 61 GREY
ASSEMBLY IS QUALIFIED AND CERTIFIED FOR UBC SEISMIC ZONE 0

THIS DOCUMENT CONTAINS PROPRIETARY DATA OF SHFT AND JCI. NO DISCLOSURE, REPRODUCTION OR USE OF ANY PART THEREOF MAY BE MADE WITHOUT WRITTEN PERMISSION. THIS IS A CAD GENERATED DRAWING. NO MANUAL CHANGES ALLOWED.

BILL OF MATERIALS			
QTY	ITEM	PART NUMBER	DESCRIPTION
5	2	SBTSB25	ROLLER RAIL TRAY 18" DEEP
1	1	RB2373	RELAY RACK 7 FT 25" /3 FRAME

CONTR.	JOHNSON CONTROLS, INC.
DRAWN BY	11/11/97
CHECKED	
APPROVED	
DSGN ACT APPV.	
DOVT ACT APPV.	

SIZE	CODE IDENT NO.	DRAWING NO.	REV.
D		SBRR-5RTS	0
SCALE	NONE		SHEET 1 OF 1

UNLESS OTHERWISE SPECIFIED DIMENSIONS ARE IN INCHES TOLERANCES FRACTIONAL/WHOLE & DECIMAL	FINISH:	AS NOTED
3 PLACE DECIMALS & 2 DEC	APPLICATION	AS NOTED