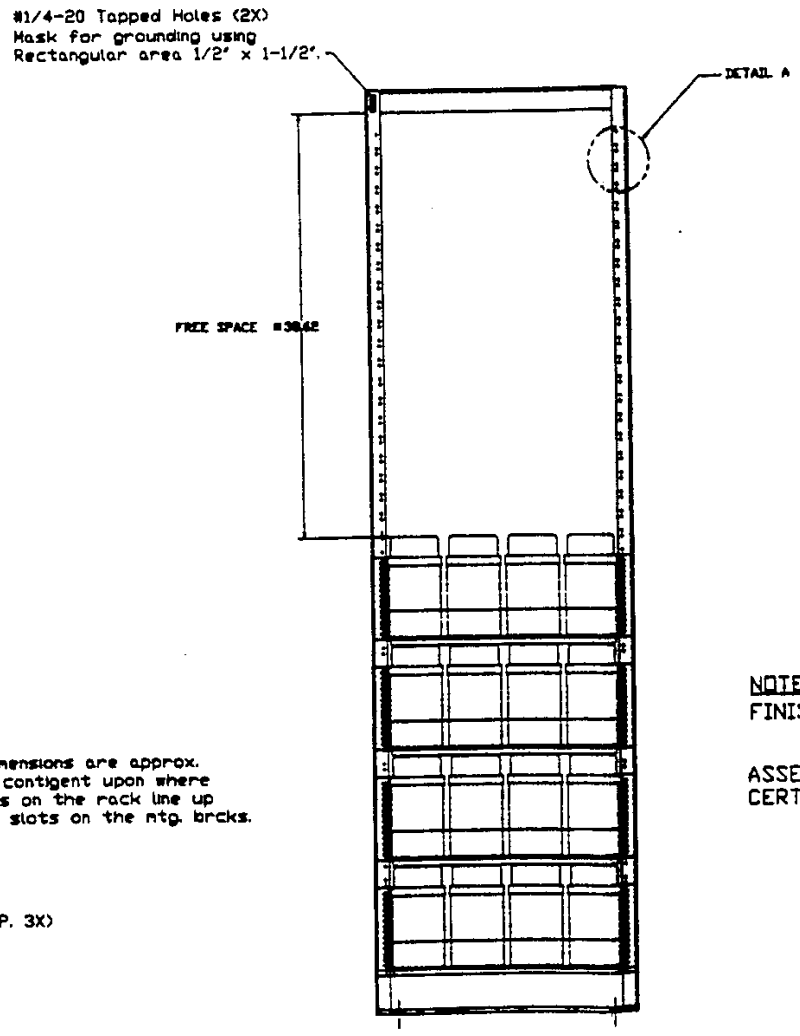
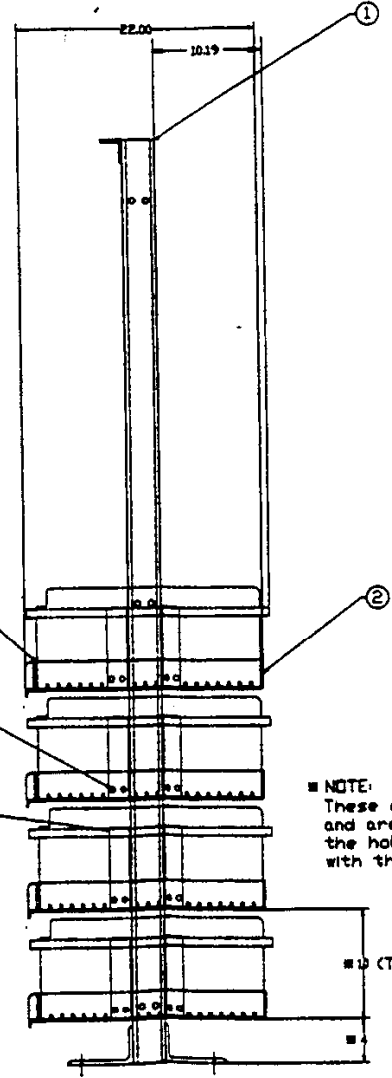
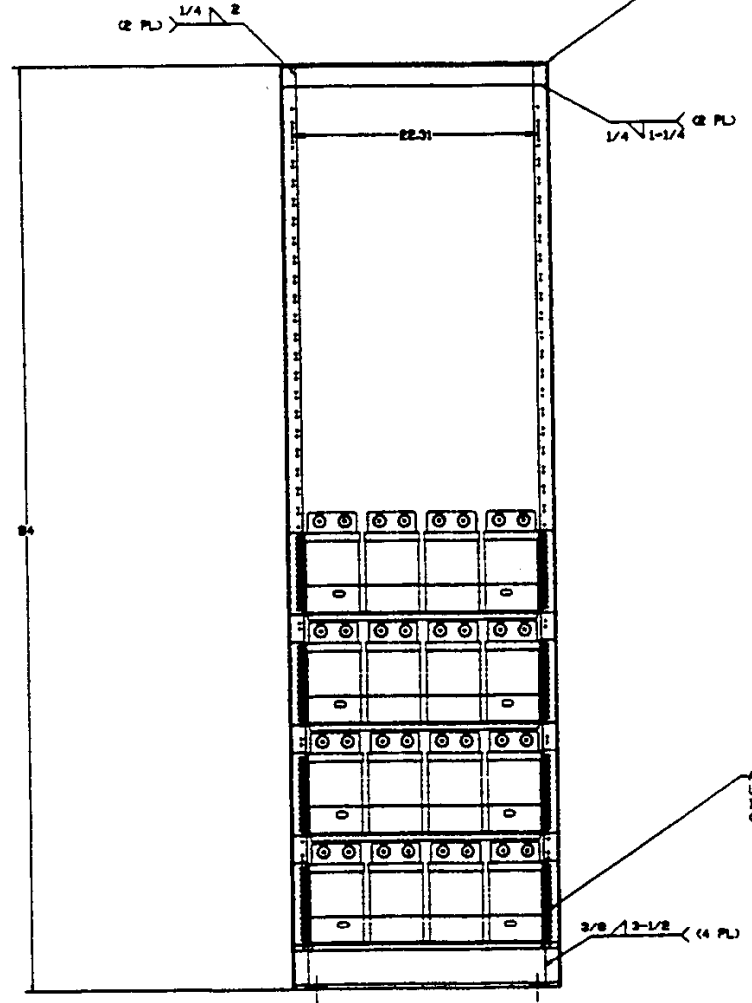
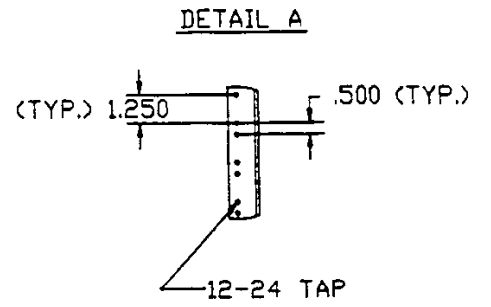
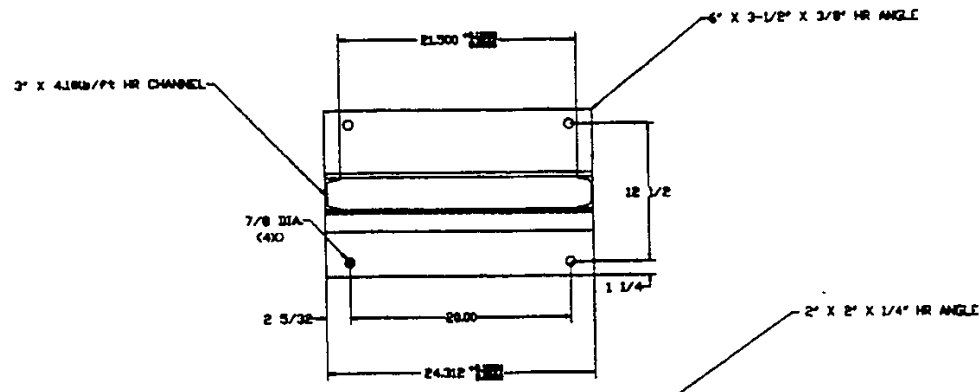


ZONE	LTR	DESCRIPTION	DATE	APPROVED

BATTERY TRAY
NOT SHOWN IN
THE TOP VIEW



NOTES:
FINISH-EPOXY POWDER, ASA 61 GREY

ASSEMBLY IS QUALIFIED AND
CERTIFIED FOR UBC SEISMIC ZONE 0

THIS DOCUMENT CONTAINS PROPRIETARY DATA
OF SHFT AND JCI. NO DISCLOSURE, REPRODUCTION
OR USE OF ANY PART THEREOF MAY BE MADE
WITHOUT WRITTEN PERMISSION. THIS IS A CAD
GENERATED DRAWING. NO MANUAL CHANGES
ALLOWED.

BILL OF MATERIALS			
QTY	ITEM	PART NUMBER	DESCRIPTION
4	2	RR7-3	Z-0(TEL12-105)BATT. SHELF ASSY.
1	1	SBT-105	RELAY RACK ASSY.

CONTR.	JOHNSON CONTROLS, INC.
DRAWN RVS 3/23/97	SPECIALTY BATTERY
CHECKED	Z-0 FIXED SHELF, RELAY RACK
APPROVED	SYSTEM ASSEMBLY - 4 TIER
DESIGN ACT APPVL	SIZE CODE IDENT NO. DRAWING NO.
COPIY ACT APPVL	D D SBR-4T
SCALE: NONE	SHEET 1 OF 1

VALUED ENGINE SPECIFIC	CONTR.
REVISIONS ARE TO BE	DRAWN RVS 3/23/97
MADE IN 1 IN.	CHECKED
2 PLACE DECIMALS 0.00	APPROVED
MATERIAL:	DESIGN ACT APPVL
AS NOTED	COPIY ACT APPVL
FINISH:	
AS NOTED	
NEXT ASSY	USED ON
APPLICATION	