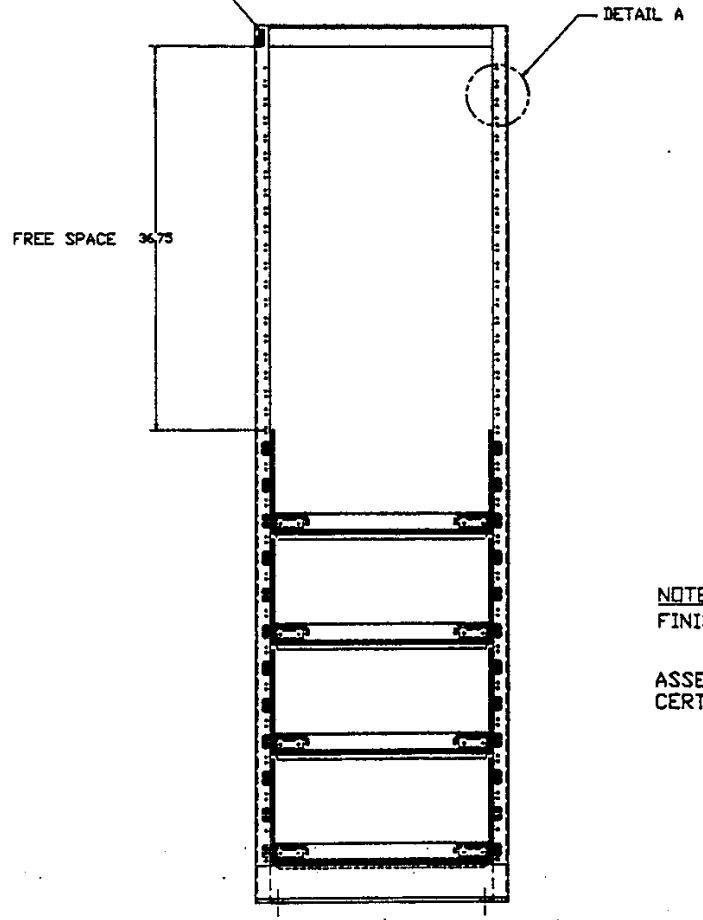
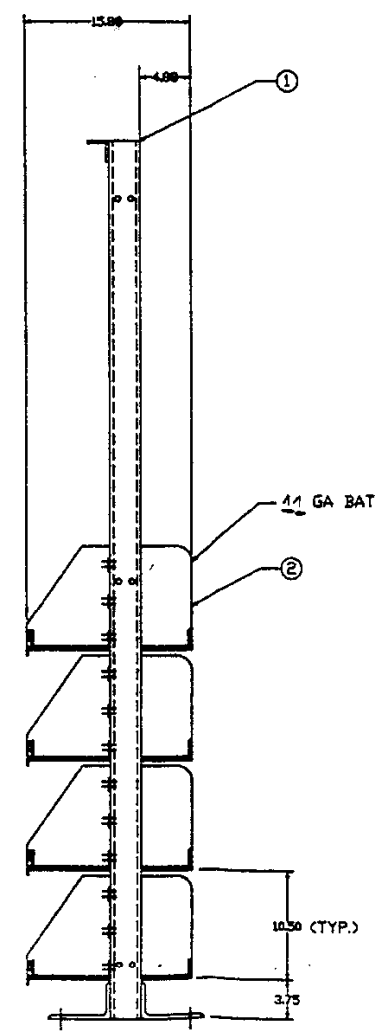
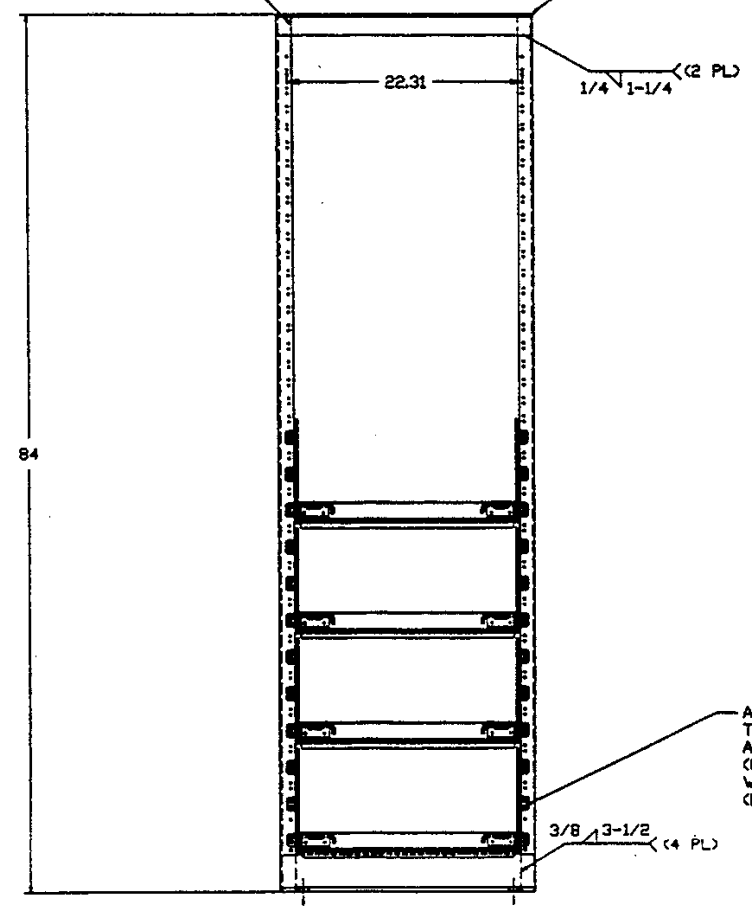
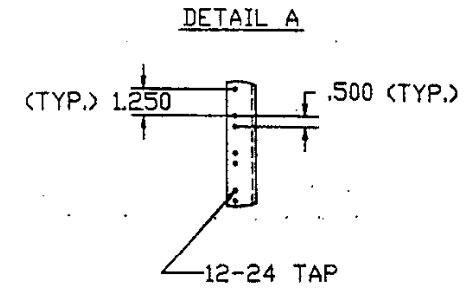
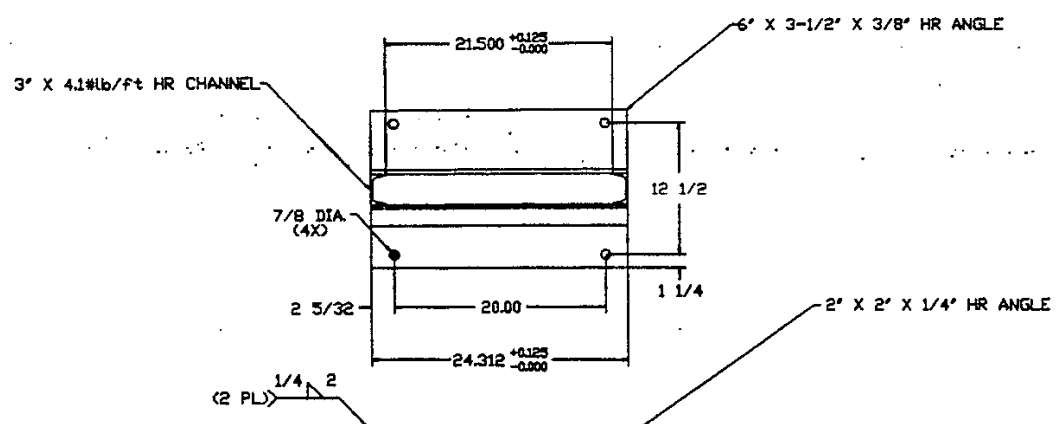


REVISIONS				
ZONE	LTR	DESCRIPTION	DATE	APPROVED

BATTERY TRAY NOT SHOWN IN THE TOP VIEW



ASSEMBLE THE TRAY TO THE RACK USING A #12-24 X 5/8" LG. (GRD.#5) INDENTED HEX WASHER HD. SCREW (MINIMUM 8X)

NOTES:
FINISH-EPOXY POWDER, ASA 61 GREY

ASSEMBLY IS QUALIFIED AND CERTIFIED FOR UBC SEISMIC ZONE 0

THIS DOCUMENT CONTAINS PROPRIETARY DATA OF SMT AND JCL. NO DISCLOSURE, REPRODUCTION, OR USE OF ANY PART THEREOF MAY BE MADE WITHOUT WRITTEN PERMISSION. THIS IS A CAD GENERATED DRAWING. NO MANUAL CHANGES ALLOWED.

BILL OF MATERIALS			
4	2	SBTSR23	ROLLER BALL TRAY 16" DEEP
1	1	RR2573	RELAY RACK 7 FT 25" /5' FRAME
QTY	ITEM	PART NUMBER	DESCRIPTION

CONTR.	UNLESS OTHERWISE SPECIFIED DIMENSIONS ARE IN INCHES	JOHNSON CONTROLS, INC. SPECIALTY BATTERY
DRAWN: EWG 11/11/97	TOLERANCES: FRACTIONS 1/16" DECIMALS .010" ANGLES .1 DEG. 3 PLACE DECIMALS .001" 2 PLACE DECIMALS .005"	
CHECKED:	MATERIAL:	Z-0 ROLLER SHELF, RELAY RACK
APPROVED:	AS NOTED	ASSY-4 TIER (TEL 12-30 & 45)
USGN ACT APPR.	FINISH:	SIZE: D CODE IDENT NO. DRAWING NO. REV. SBRR-4RTS 0
GOVT ACT APPR.	AS NOTED	SCALE: NONE SHEET 1 OF 1

APPLICATION	USED ON	FINISH:	AS NOTED
-------------	---------	---------	----------