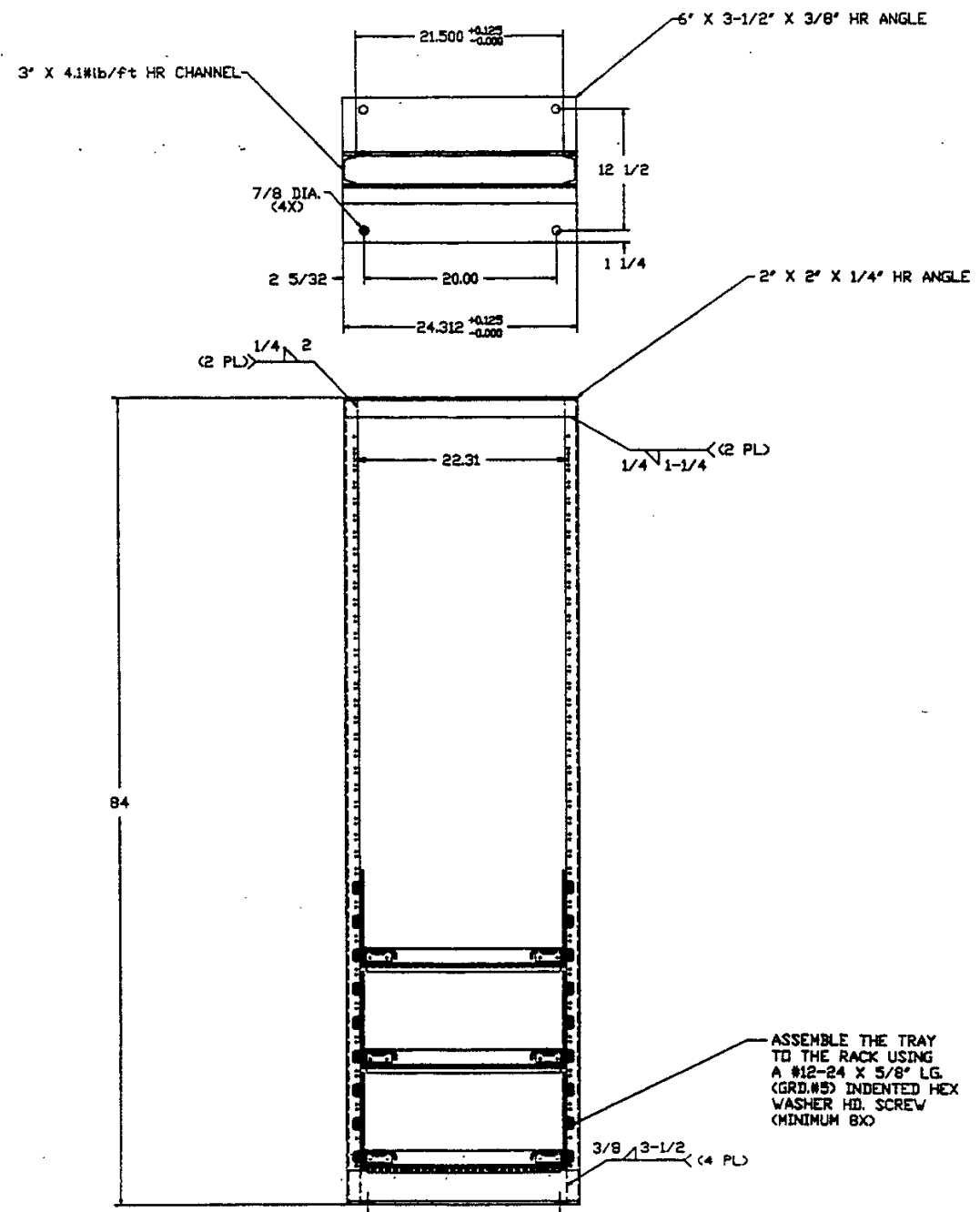
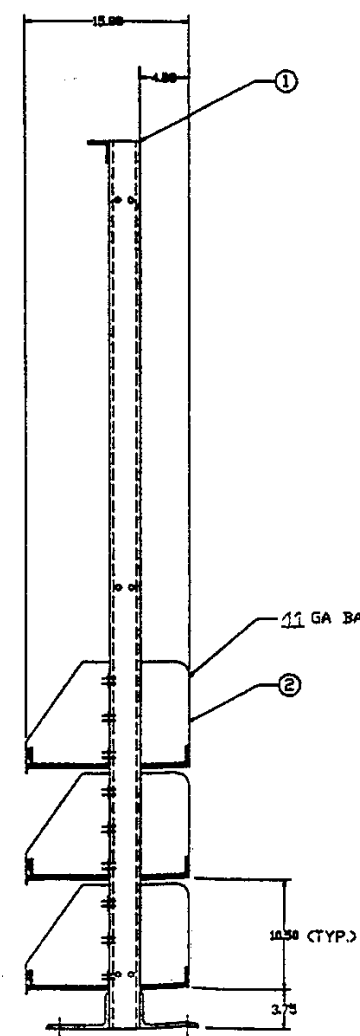
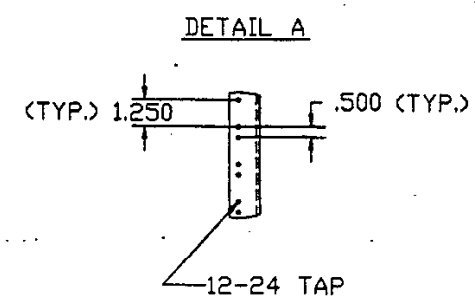


REVISIONS			
ZONE/LTR	DESCRIPTION	DATE	APPROVED

BATTERY TRAY NOT SHOWN IN THE TOP VIEW

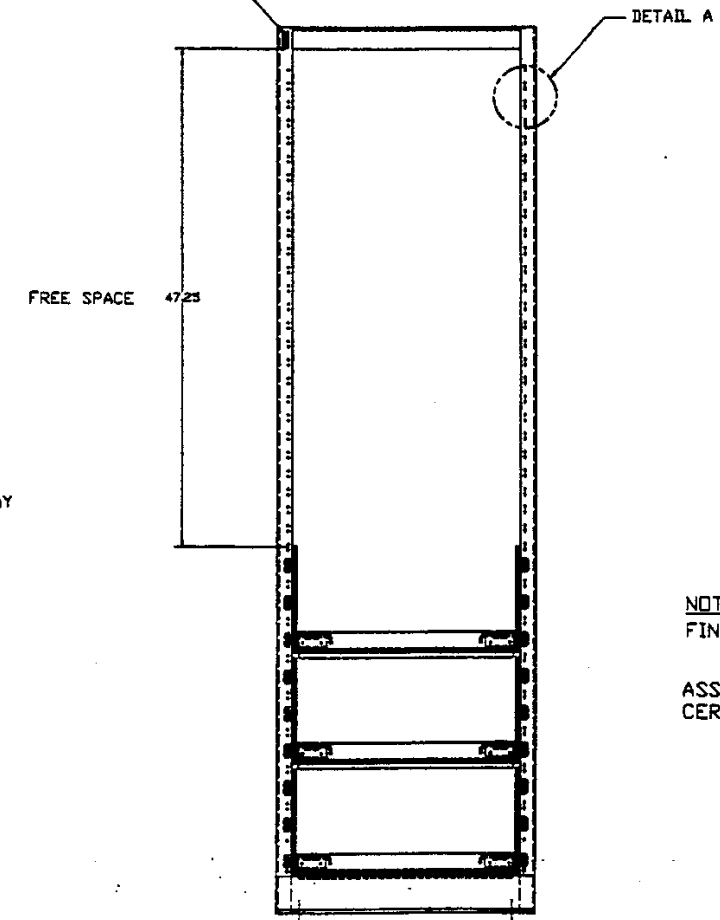


FRONT VIEW



RIGHT SIDE VIEW

#1/4-20 Tapped Holes (2X)
Mask for grounding using
Rectangular area 1/2" x 1-1/2"



REAR VIEW

NOTES:
FINISH-EPOXY POWDER, ASA 61 GREY

ASSEMBLY IS QUALIFIED AND
CERTIFIED FOR UBC SEISMIC ZONE 0

THIS DOCUMENT CONTAINS PROPRIETARY DATA OF SMTI AND JCI. NO DISCLOSURE, REPRODUCTION OR USE OF ANY PART THEREOF MAY BE MADE WITHOUT WRITTEN PERMISSION. THIS IS A CAD GENERATED DRAWING. NO MANUAL CHANGES ALLOWED.

BILL OF MATERIALS			
QTY	ITEM	PART NUMBER	DESCRIPTION
3	2	SBTSR23	ROLLER BALL TRAY 16" DEEP
1	1	RR237S	RELAY RACK 7 FT 23" / 5" FRAME

UNLESS OTHERWISE SPECIFIED DIMENSIONS ARE IN INCHES TOLERANCES FRACTIONS/INCHES DECIMALS/INCHES 3 PLACE DECIMALS = .001	CONTR. DRAWN EWG 11/11/97 CHECKED APPROVED DSGN ACT APPVL GOVT ACT APPVL	JOHNSON CONTROLS, INC. SPECIALTY BATTERY Z-0 ROLLER SHELF, RELAY RACK ASSY-3 TIER (TEL 12-30 & 45)	SIZE D	CODE IDENT NO. SBRR-3RTS 0	DRAWING NO. SBRR-3RTS 0	REV. 0
NEXT ASSY APPLICATION	USED ON APPLICATION	MATERIAL: AS NOTED	FINISH: AS NOTED	SCALE: NONE	SHEET 1 OF 1	