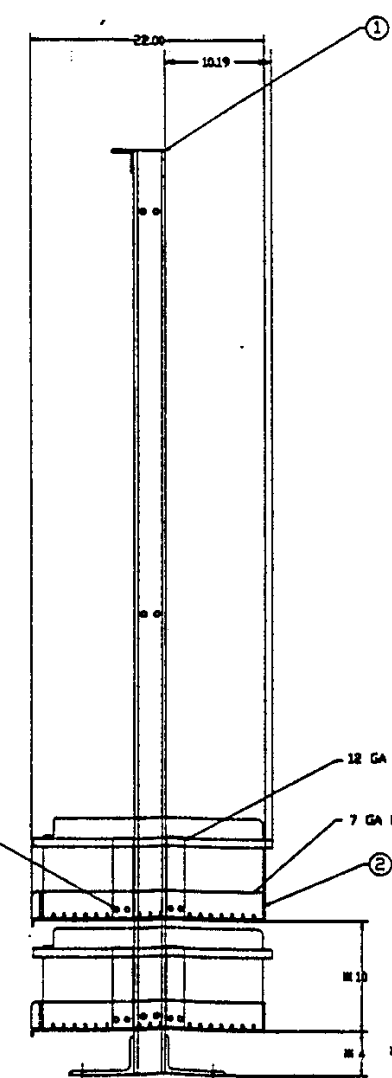
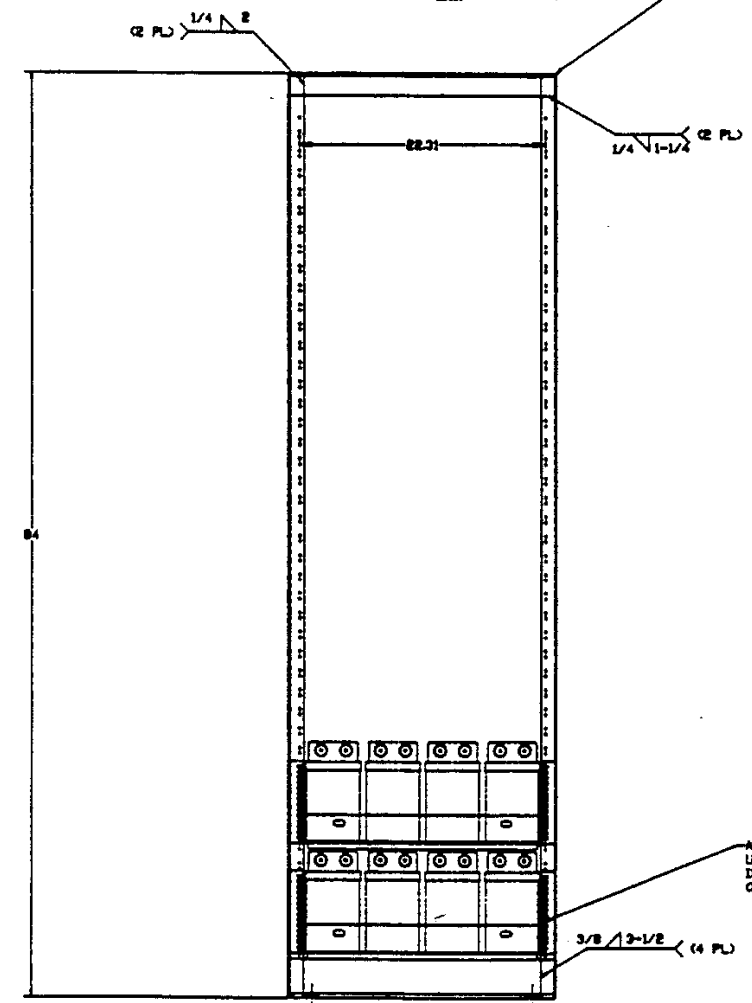
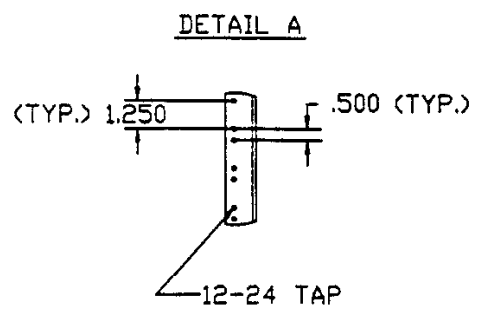
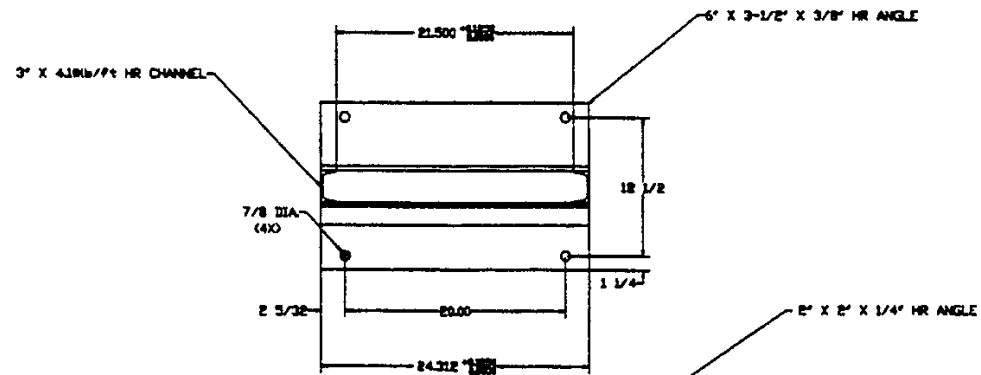
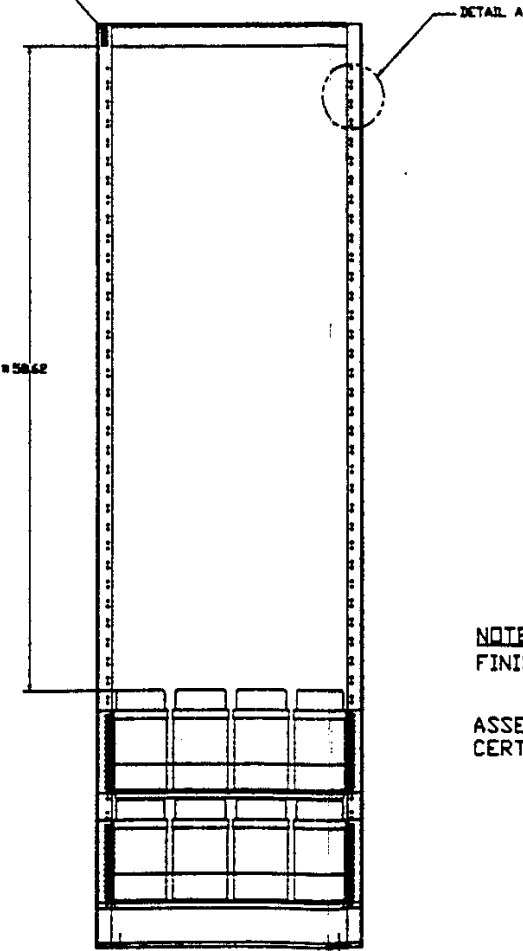


BATTERY TRAY  
NOT SHOWN IN  
THE TOP VIEW

REVISIONS				
ZONE	LTR	DESCRIPTION	DATE	APPROVED



#1/4-20 Tapped Holes (2X)  
Mask for grounding using  
Rectangular area 1/2" x 1-1/2"



ASSEMBLE MTG. BRCK TO SHELF  
USING #5/16-18 X 1" LG. CORDED  
PHILLIPS FLAT HD. SCREW WITH  
A #5/16 SPLIT RING LOCKWASHER  
AND A #5/16-18 CORDED HEX NUT.  
G&X

ASSEMBLE THE MTG. BRCK TO THE RACK  
USING A #12-24 X 3/8" LG. CORDED  
INDENTED HEX WASHER HD. SCREW.  
QTY/SHAE OF 12 PER SHELF

NOTE:  
These dimensions are approx.  
and are contingent upon where  
the holes on the rack line up  
with the slots on the mtg. brcks.

NOTES:  
FINISH-EPOXY POWDER, ASA 61 GREY  
  
ASSEMBLY IS QUALIFIED AND  
CERTIFIED FOR UBC SEISMIC ZONE 0

THIS DOCUMENT CONTAINS PROPRIETARY DATA  
OF SPT AND JCI. NO DISCLOSURE, REPRODUCTION,  
OR USE OF ANY PART THEREOF MAY BE MADE  
WITHOUT WRITTEN PERMISSION. THIS IS A CAD  
GENERATED DRAWING. NO MANUAL CHANGES  
ALLOWED.

BILL OF MATERIALS			
QTY	ITEM	PART NUMBER	DESCRIPTION
2	2	RR7-3	Z-0CTEL12-105BATT. SHELF ASSY.
1	1	SBT-105	RELAY RACK ASSY.

CONTR.	JOHNSON CONTROLS, INC.
DRAWN RVS 5/20/97	SPECIALTY BATTERY
CHECKED	Z-0 FIXED SHELF, RELAY RACK
APPROVED	SYSTEM ASSEMBLY-2 TIER
DSGN ACT APPL	SIZE CODE IDENT NO. DRAWING NO. REV.
GOVT ACT APPL	D SBRR-2T -
APPLICATION	SCALE: NONE SHEET 1 OF 1