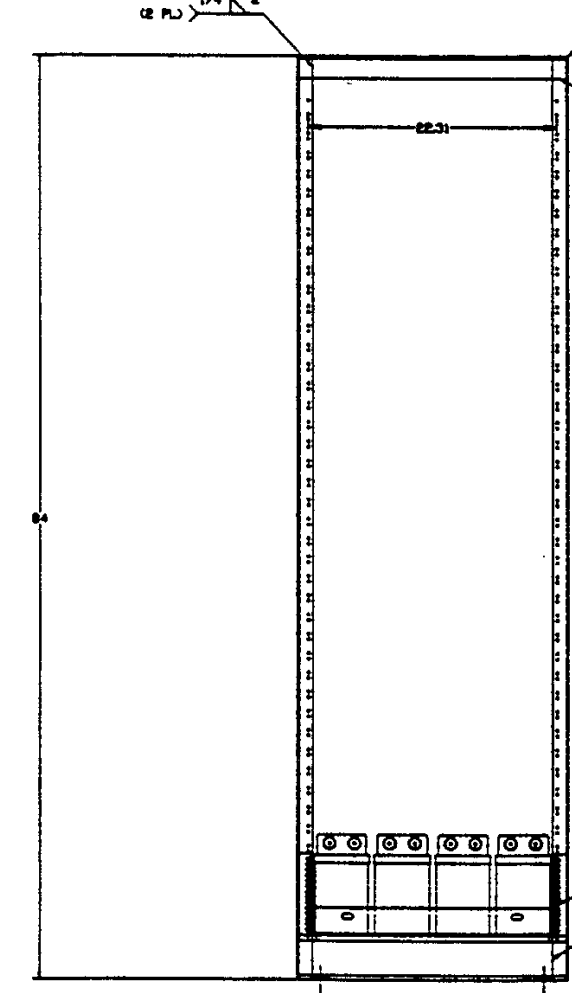
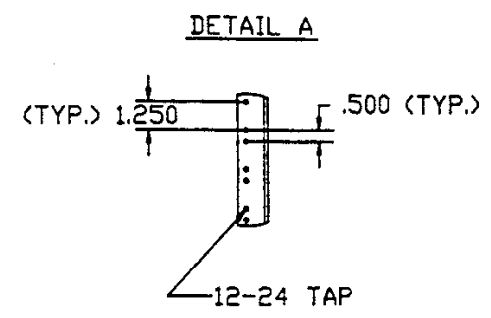
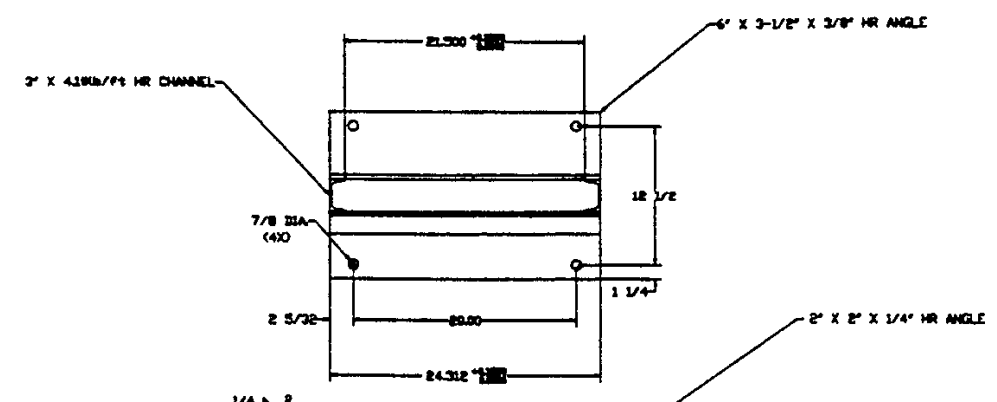
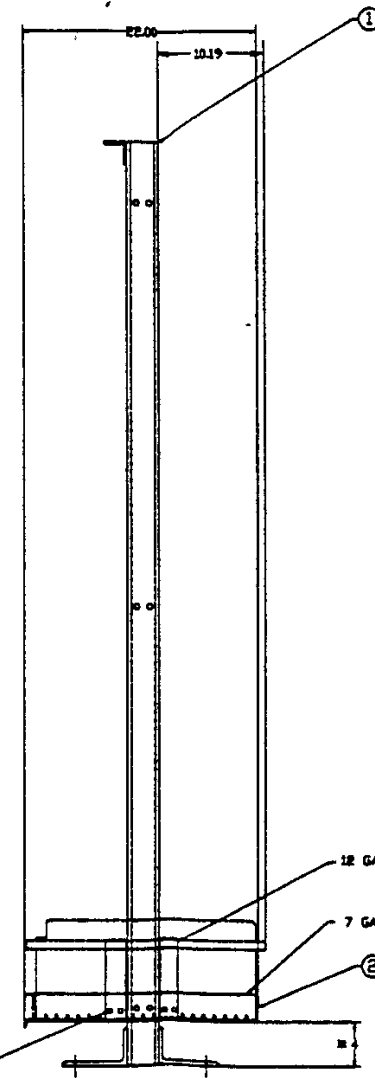


REVISIONS				
ZONE	LTR	DESCRIPTION	DATE	APPROVED

BATTERY TRAY
NOT SHOWN IN
THE TOP VIEW

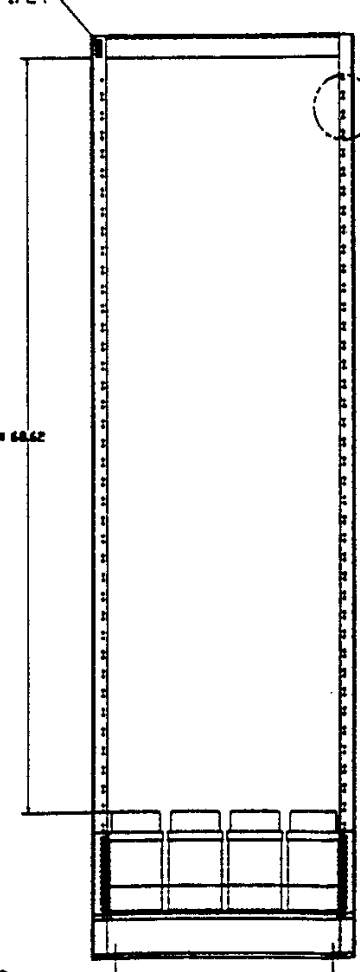


FRONT VIEW



RIGHT SIDE VIEW

#1/4-20 Tapped Holes (2X)
Mask for grounding using
Rectangular area 1/2' x 1-1/2'



REAR VIEW

ASSEMBLE THE MTG BRCK TO THE RACK
USING A #12-24 X 5/8" LG. (GRD.)
INDENTED HEX WASHER HD. SCREW,
OR EQUIV. (12 PER SHELF)

ASSEMBLE MTG BRCK TO SHELF
USING #5-16-18 X 1" LG. GRD. PHILLIPS
FLAT HD. SCREW WITH
A #5-16 SPLIT RING LOCKWASHER
AND A #5-16-18 GRD. HEX NUT.
(8X)

NOTE:
These dimensions are approx.
and are contingent upon where
the holes on the rack line up
with the slots on the mtg. brcks.

NOTES:
FINISH-EPOXY POWDER, ASA 61 GREY

ASSEMBLY IS QUALIFIED AND
CERTIFIED FOR UBC SEISMIC ZONE 0

THIS DOCUMENT CONTAINS PROPRIETARY DATA
OF SMTI AND JCL. NO DISCLOSURE, REPRODUCTION
OR USE OF ANY PART THEREOF MAY BE MADE
WITHOUT WRITTEN PERMISSION. THIS IS A CAD
GENERATED DRAWING. NO MANUAL CHANGES
ALLOWED.

BILL OF MATERIALS			
QTY	ITEM	PART NUMBER	DESCRIPTION
1	2	RR7-3	Z-0CTEL12-105)BATT. SHELF ASSY.
1	1	SBT-105	RELAY RACK ASSY.

		UNLESS OTHERWISE SPECIFIED DIMENSIONS ARE IN INCHES FRACTIONS USE 16ths DECIMALS USE 10ths 2 PLACE DECIMALS = .00 3 PLACE DECIMALS = .000	CONTR. DRAWN RVD 5/25/97 CHECKED APPROVED DSGN ACT APPL.	JOHNSON CONTROLS, INC. SPECIALTY BATTERY Z-0 FIXED SHELF, RELAY RACK SYSTEM ASSEMBLY-1 TIER	SIZE D	CODE IDENT NO. SBRR-1T	REV. -
NEXT ASSY	USED ON	MATERIAL: AS NOTED	APPROVED DSGN ACT APPL.	SCALE: NONE	SHEET 1 OF 1		
APPLICATION		FINISH: AS NOTED	COPY ACT APPL.				