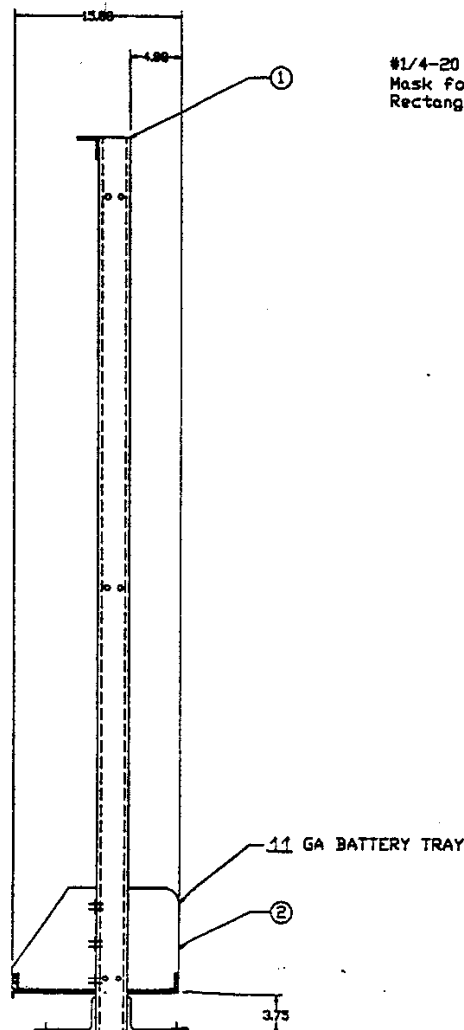
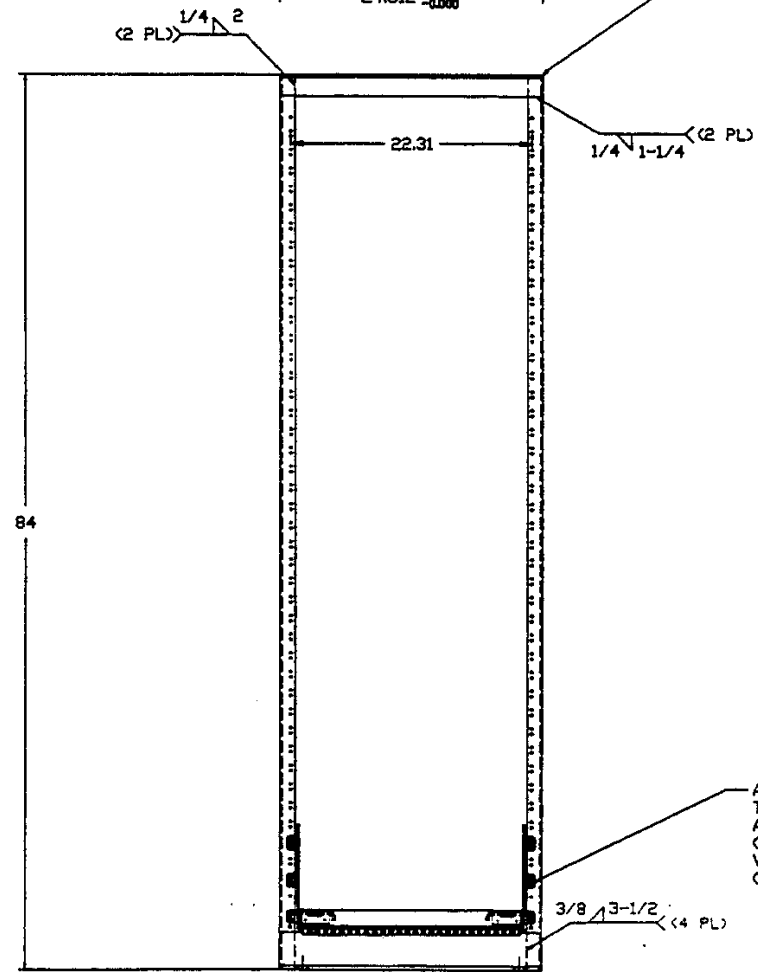
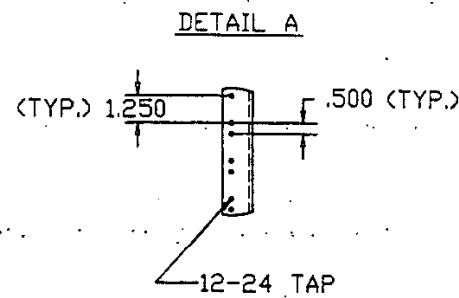
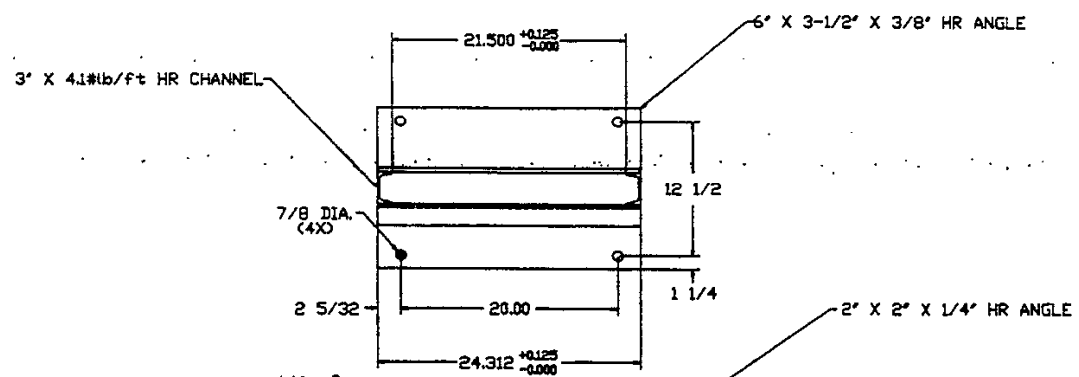
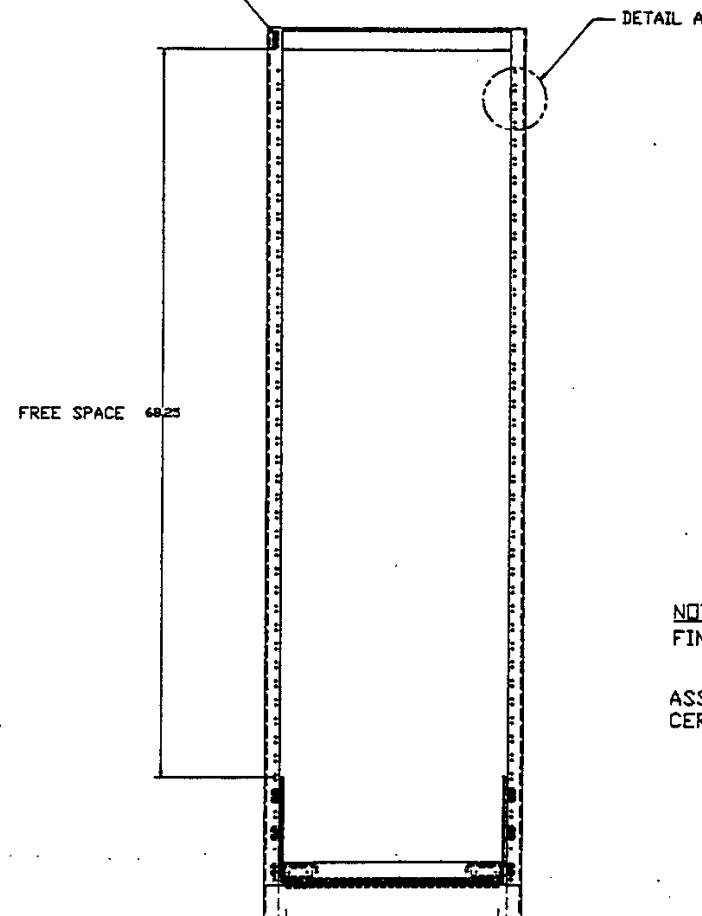


REVISIONS				
ZONE	LTR	DESCRIPTION	DATE	APPROVED

BATTERY TRAY NOT SHOWN IN THE TOP VIEW



#1/4-20 Tapped Holes (2X)  
Mask for grounding using  
Rectangular area 1/2' x 1-1/2'.



NOTES:  
FINISH-EPOXY POWDER, ASA 61 GREY  
  
ASSEMBLY IS QUALIFIED AND  
CERTIFIED FOR UBC SEISMIC ZONE 0

THIS DOCUMENT CONTAINS PROPRIETARY DATA OF SMT AND JCI. NO DISCLOSURE, REPRODUCTION OR USE OF ANY PART THEREOF MAY BE MADE WITHOUT WRITTEN PERMISSION. THIS IS A CAD GENERATED DRAWING. NO MANUAL CHANGES ALLOWED.

BILL OF MATERIALS			
QTY	ITEM	PART NUMBER	DESCRIPTION
1	2	SBTSR2S	ROLLER BALL TRAY 16" DEEP
1	1	RR2S7S	RELAY RACK 7 FT 25" /3" FRAME

UNLESS OTHERWISE SPECIFIED DIMENSIONS ARE IN INCHES TOLERANCES FRACTIONS/INCH UNLESS OTHERWISE SPECIFIED 1 PLACE DECIMALS & .000 2 PLACE DECIMALS & .000	CONTR. JOHNSON CONTROLS, INC. DRAWN EWG 11/11/97 CHECKED APPROVED APPROVED DSGN ACT APPVL GOV'T ACT APPVL	SCALE: NONE	SHEET 1 OF 1
MATERIAL: AS NOTED	FINISH: AS NOTED	SIZE CODE IDENT NO. D	DRAWING NO. SBRR-1RTS 0
REV. 0	REV. 0	REV. 0	REV. 0

FRONT VIEW

RIGHT SIDE VIEW

REAR VIEW