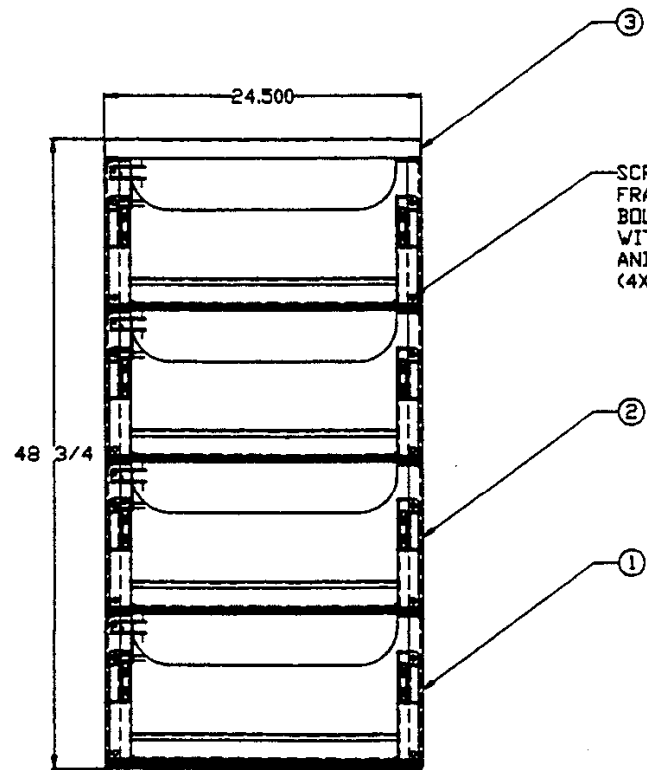
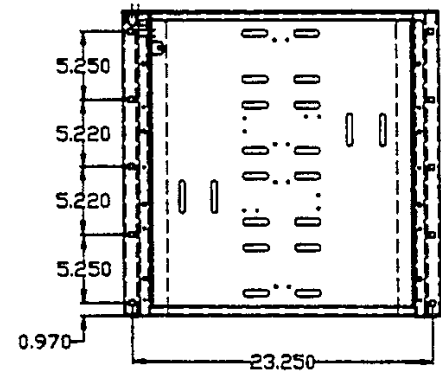
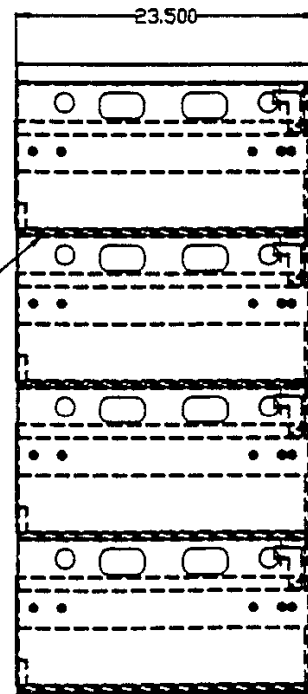


DUST COVER  
REMOVED FOR CLARITY



SCREW DRAWER TO  
FRAME USING #3/8-16  
BOLTS (GRD. 5) X 1" LG.  
WITH A #3/8" LOCKWASHER  
AND A #3/8" FLATWASHER  
(4X PER SHELF)

ASSEMBLE SHELVES AND DUST COVER  
USING THE FOLLOWING HARDWARE PER SHELF:  
#3/8-16 X 1" LG. (GRD.#5) CARRIAGE BOLT (10X)  
#3/8 FLATWASHER (10X)  
#3/8 LOCKWASHER (8X)  
#3/8 "SHAKEPROOF" WASHER (2X)(REAR HOLES)  
#3/8-16 (GRD.#5) HEX NUT (10X)



REVISIONS				
ZONE	LTR	DESCRIPTION	DATE	APPROVED

NOTES:  
FINISH-EPOXY POWDER, ASA 61 GREY  
ASSEMBLY IS QUALIFIED AND  
CERTIFIED FOR UBC SEISMIC ZONE 4  
COVER INCLUDES RELAY RACK MOUNTING  
HOLES

▪ BATTERY HOLD-DOWNS AS REQ.

THIS DOCUMENT CONTAINS PROPRIETARY DATA  
OF SHFT AND JCI. NO DISCLOSURE, REPRODUCTION,  
OR USE OF ANY PART THEREOF MAY BE MADE  
WITHOUT WRITTEN PERMISSION. THIS IS A CAD  
GENERATED DRAWING. NO MANUAL CHANGES  
ALLOWED.

BILL OF MATERIALS			
QTY	ITEM	PART NUMBER	DESCRIPTION
16	5	MHD70-90	BATTERY HOLD-DOWN (NOT SHOWN)
8	4	MHD30-45	BATTERY HOLD-DOWN (NOT SHOWN)
1	3	MRDC-S	DUST COVER
3	2	MRT-S	Z-4 SLIDING BATTERY SHELF-TIER
1	1	MRB-S	Z-4 SLIDING BATTERY SHELF-BASE

UNLESS OTHERWISE SPECIFIED DIMENSIONS ARE IN INCHES TOLERANCES UNLESS NOTED ARE: FRACTIONS & 1 IN. 2 PLACE DECIMALS & .001 3 PLACE DECIMALS & .0005	CONTR. DRAWN: EVG 6/28/97 CHECKED: APPROVED: DSGN ACT APPVL: COPY ACT APPVL:	JOHNSON CONTROLS, INC. SPECIALTY BATTERY (TEL12-30/12-90) Z-4 MODULAR SINGLE BAY SYSTEM - 4 TIER SIZE: CODE IDENT NO. DRAWING NO. REV. D SBMS-4T -
NEXT ASSY: USED ON: APPLICATION:	MATERIAL: AS NOTED FINISH: AS NOTED	SCALE: SHEET 1 OF 1