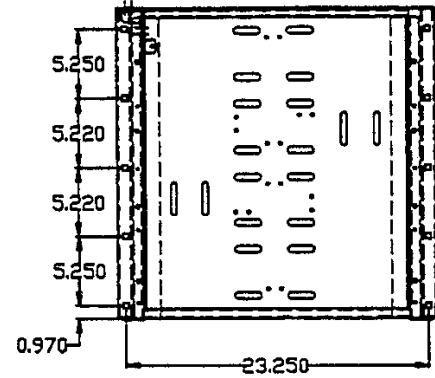
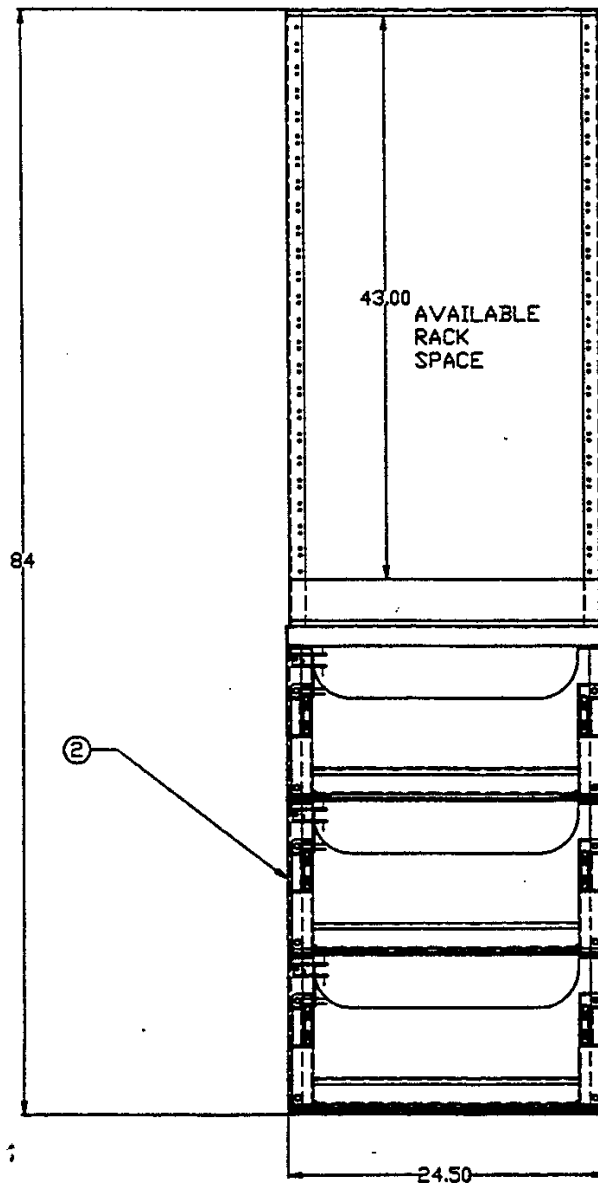


DUST COVER  
REMOVED FOR CLARITY



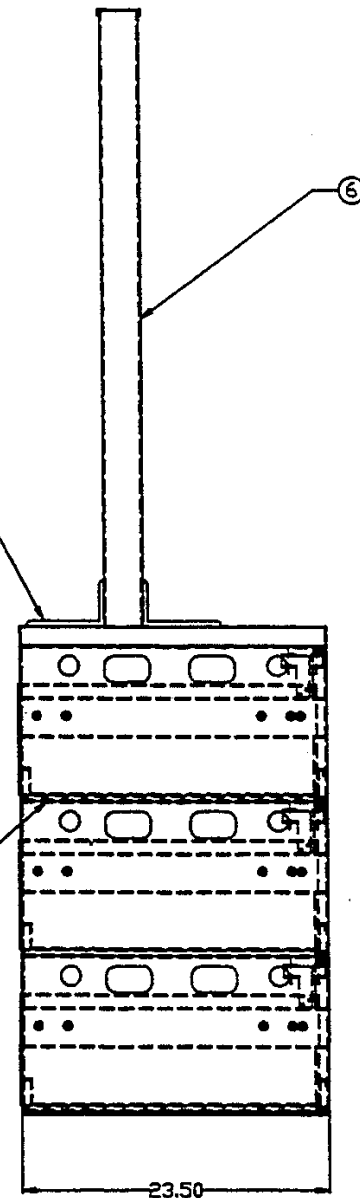
REVISIONS				
ZONE	LTR	DESCRIPTION	DATE	APPROVED



ASSEMBLE THE RACK TO THE DUST COVER USING THE FOLLOWING:  
 #1/2-13 X 1-1/2" LG. (GRD. #5) BOLT (4X)  
 #1/2 FLATWASHER (4X)  
 #1/2 LOCKWASHER (4X)  
 #1/2-13 (GRD. #5) HEX NUT (4X)

SCREW DRAWER TO FRAME USING #3/8-16 BOLTS (GRD. 5) X 1" LG. WITH A #3/8" LOCKWASHER AND A #3/8" FLATWASHER (4X PER SHELF)

ASSEMBLE SHELVES AND DUST COVER USING THE FOLLOWING HARDWARE PER SHELF:  
 #3/8-16 X 1" LG. (GRD.#5) CARRIAGE BOLT (10X)  
 #3/8 FLATWASHER (10X)  
 #3/8 LOCKWASHER (8X)  
 #3/8 "SHAKEPROOF" WASHER (2X)(REAR HOLES)  
 #3/8-16 (GRD.#5) HEX NUT (10X)



NOTES:  
 FINISH-EPOXY POWDER, ASA 61 GREY  
 ASSEMBLY IS QUALIFIED AND CERTIFIED FOR UBC SEISMIC ZONE 4  
 COVER INCLUDES RELAY RACK MOUNTING HOLES

\* BATTERY HOLD-DOWNS AS REQ.

THE RACK IS WELDED CONSTRUCTION

THIS DOCUMENT CONTAINS PROPRIETARY DATA OF SMT AND JCI. NO DISCLOSURE, REPRODUCTION OR USE OF ANY PART THEREOF MAY BE MADE WITHOUT WRITTEN PERMISSION. THIS IS A CAD GENERATED DRAWING. NO MANUAL CHANGES ALLOWED.

BILL OF MATERIALS			
QTY	ITEM	PART NUMBER	DESCRIPTION
1	6	MRR4-4700	RACK "F"
12	5	MHD70-90	BATTERY HOLD-DOWN (NOT SHOWN)
6	4	MHD30-45	BATTERY HOLD-DOWN (NOT SHOWN)
1	3	MRDC-SHD	DUST COVER, HEAVY DUTY
2	2	MRT-S	Z-4 SLIDING BATTERY SHELF-TIER
1	1	MRB-S	Z-4 SLIDING BATTERY SHELF-BASE

UNLESS OTHERWISE SPECIFIED TOLERANCES ARE AS SHOWN	CONTR.	JOHNSON CONTROLS, INC.		
	DRAWN BY: 6/18/97	SPECIALTY BATTERY		
	CHECKED	CTEL12-30/12-90 Z-4 MODULAR SINGLE BAY SYSTEM - 3 TIER W/RELAY RACK		
	APPROVED	SIZE	CODE IDENT NO.	DRAWING NO.
MATERIAL: AS NOTED	DSGN ACT APPVL	D		SBMS-3TR
		SCALE:		REV. -
NEXT ASSY: USED ON: APPLICATION	FRESH: AS NOTED			SHEET 1 OF 1