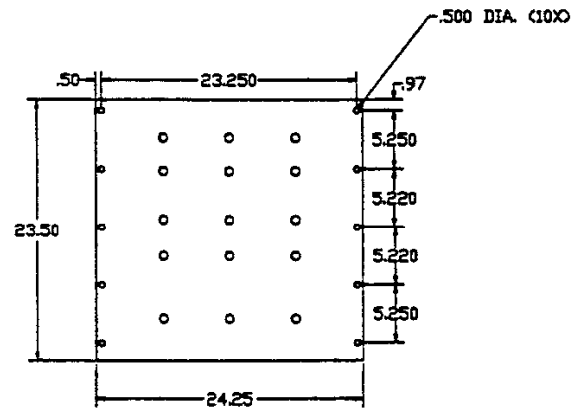
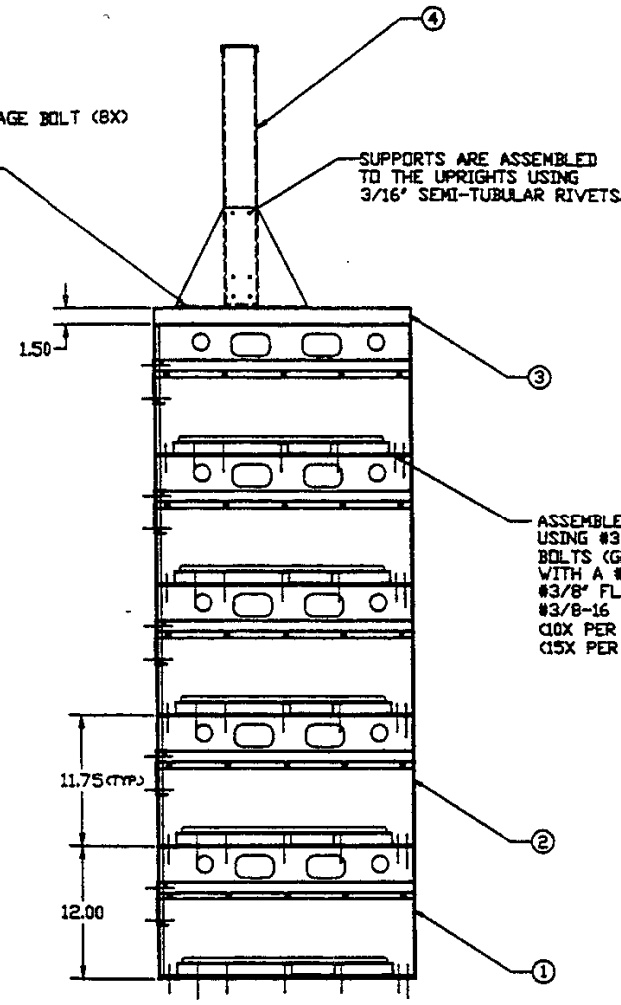
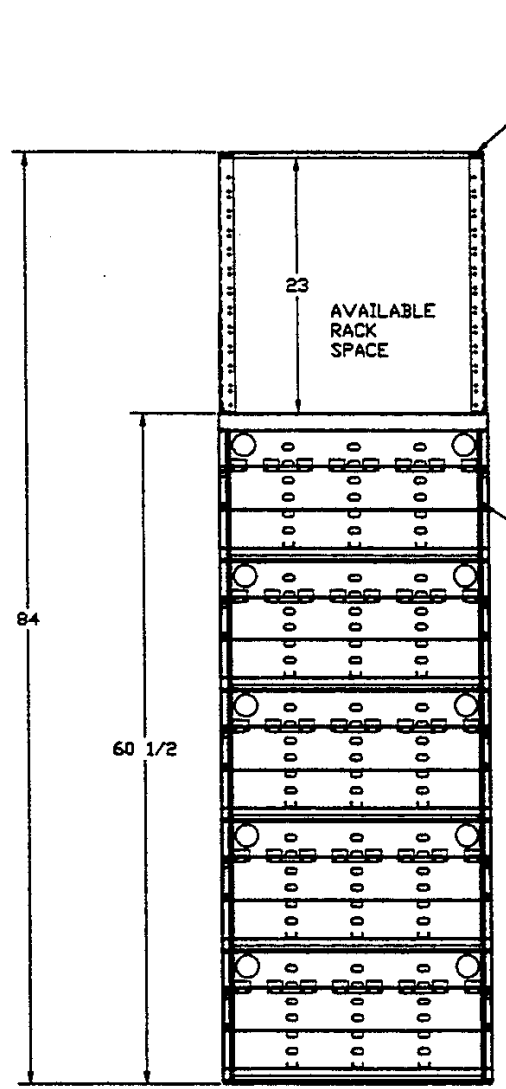


| REVISIONS | | | | |
|-----------|-----|-------------|------|----------|
| ZONE | LTR | DESCRIPTION | DATE | APPROVED |
| | | | | |



NOTES:
 FINISH-EPOXY POWDER, ASA 61 GREY

ASSEMBLY IS QUALIFIED AND CERTIFIED FOR UBC SEISMIC ZONE 4

THIS DOCUMENT CONTAINS PROPRIETARY DATA OF SHFT AND JCL. NO DISCLOSURE, REPRODUCTION OR USE OF ANY PART THEREOF MAY BE MADE WITHOUT WRITTEN PERMISSION. THIS IS A CAD GENERATED DRAWING. NO MANUAL CHANGES ALLOWED.

| BILL OF MATERIALS | | | |
|-------------------|------|-------------|---------------------------------|
| QTY | ITEM | PART NUMBER | DESCRIPTION |
| 1 | 4 | MRR4-2350 | RACK "J" |
| 1 | 3 | MRDC-105 | DUST COVER |
| 4 | 2 | MRT-105 | Z-4 RELAY RACK-FIXED SHELF,TIER |
| 1 | 1 | MRB-105 | Z-4 RELAY RACK-FIXED SHELF,BASE |

| | | | |
|-------------------|---------|----------------------------|--------------|
| CONTR. | | JOHNSON CONTROLS, INC. | |
| DRAWN RVG 5/28/97 | | SPECIALTY BATTERY | |
| CHECKED | | (TEL12-105) Z-4 MODULAR | |
| APPROVED | | SINGLE BAY SYSTEM - 5 TIER | |
| APPROVED | | W/RELAY RACK | |
| DISN ACT APPV. | SIZE | CODE IDENT NO. | DRAWING NO. |
| GOVT ACT APPV. | D | | SBMF-5TR |
| APPLICATION | USED ON | FINISH: | REV. - |
| | | | SHEET 1 OF 1 |