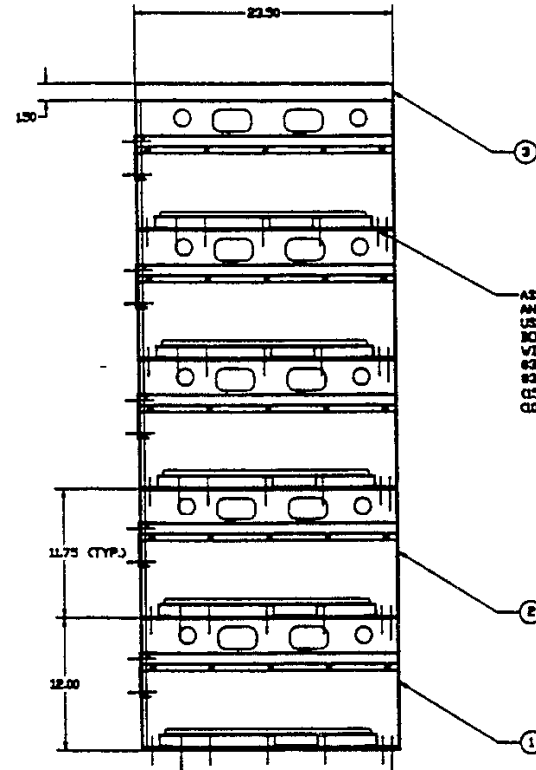
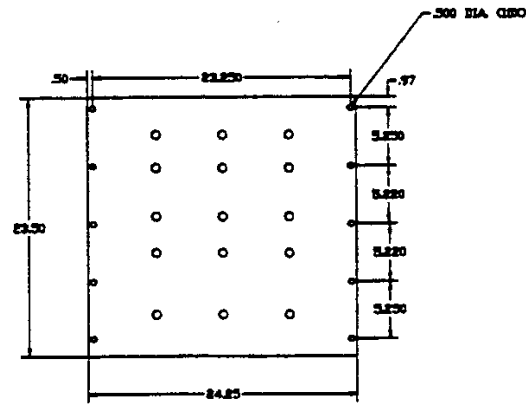


ASSEMBLE FRONT HOLD-DOWN  
USING #10-14 X 1" LG.  
"TEK" HEX WASHDR. SELF  
DRILLING & TAPPING SCREW  
(4X PER SHELF)



ASSEMBLE SHELVES  
AND DUST COVER  
USING #8/8-16 CARRIAGE  
BOLTS 6000 50 X 1" LG.  
WITH A #8/8" LOCKWASHER  
#8/8" FLAT WASHER AND  
#8/8-16 HEX NUT  
(15X PER SHELF)  
(10X PER DUST COVER)



NOTES:  
FINISH-EPOXY POWDER, ASA 61 GREY

ASSEMBLY IS QUALIFIED AND  
CERTIFIED FOR UBC SEISMIC ZONE 4

THIS DOCUMENT CONTAINS PROPRIETARY DATA  
OF SMT AND JCL. NO DISCLOSURE, REPRODUCTION  
OR USE OF ANY PART THEREOF MAY BE MADE  
WITHOUT WRITTEN PERMISSION. THIS IS A CAD  
GENERATED DRAWING. NO MANUAL CHANGES  
ALLOWED.

BILL OF MATERIALS			
QTY	ITEM	PART NUMBER	DESCRIPTION
1	3	MRDC-105	DUST COVER
4	2	MRT-105	Z-4 RELAY RACK-FIXED SHELF,TIER
1	1	MRB-105	Z-4 RELAY RACK-FIXED SHELF,BASE

UNLESS OTHERWISE SPECIFIED DIMENSIONS ARE IN INCHES TOLERANCES UNLESS OTHERWISE NOTED: ±.010 3 PLACE DECIMALS ±.001 2 PLACE DECIMALS ±.005		CONTR.	JOHNSON CONTROLS, INC. SPECIALTY BATTERY	
DRAWN: EVG 3/28/97		CHECKED	(TEL12-105) Z-4 MODULAR SINGLE BAY SYSTEM - 5 TIER	
MATERIAL:		APPROVED	SIZE	CODE IDENT NO.
FINISH:		DESIGN ACT APPVL	D	SBMF-5T
NEXT ASSY	USED ON	COMPT ACT APPVL	SCALE:	REV. -
APPLICATION				SHEET 1 OF 1