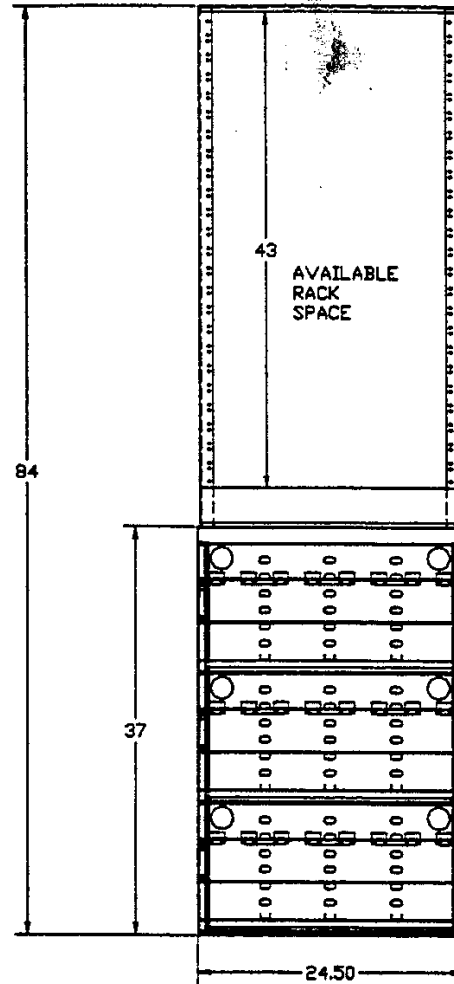
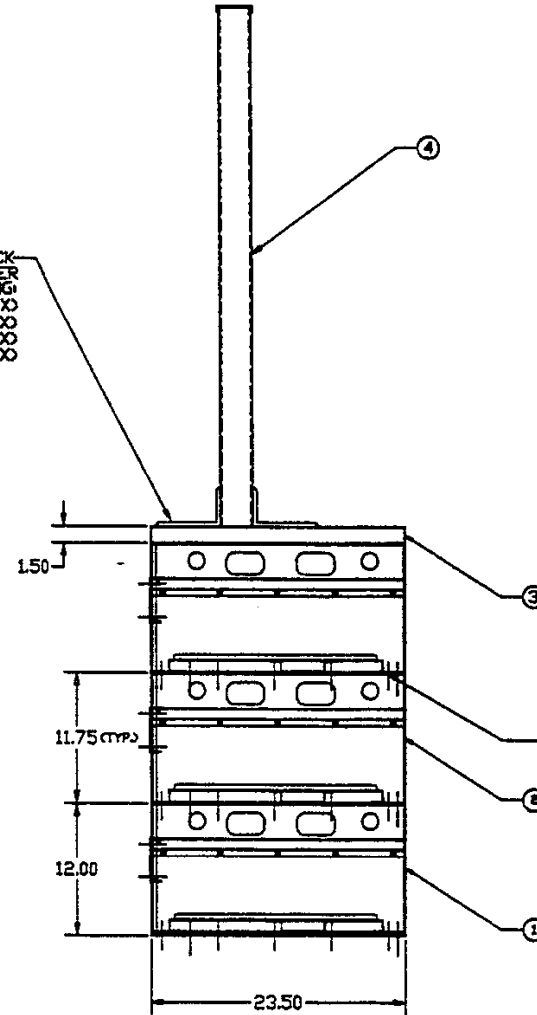


REVISIONS				
ZONE	LTR	DESCRIPTION	DATE	APPROVED

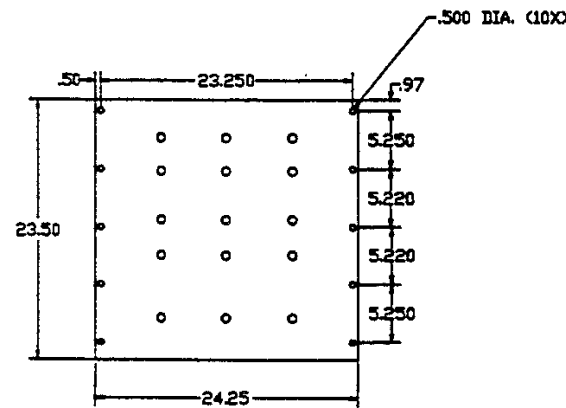


ASSEMBLE THE RACK TO THE DUST COVER USING THE FOLLOWING:
 #1/2-13 X 1-1/2" LG. (GRD. #5) BOLT (4X)
 #1/2 FLATWASHER (4X)
 #1/2 LOCKWASHER (4X)
 #1/2-13 (GRD. #5) HEX NUT (4X)

ASSEMBLE FRONT HOLD-DOWN USING #1/4-14 X 1" LG. "TEK" HEX WSHRHD. SELF DRILLING & TAPPING SCREW (4X PER SHELF)



ASSEMBLE DUST COVER AND SHELVES USING #3/8-16 CARRIAGE BOLTS (GRD. 5) X 1" LG. WITH A #3/8" LOCKWASHER AND #3/8-16 HEX NUT (10X PER DUST COVER) (15X PER SHELF)



NOTES:
 FINISH-EPOXY POWDER, ASA 61 GREY

ASSEMBLY IS QUALIFIED AND CERTIFIED FOR UBC SEISMIC ZONE 4.

THE RACK IS WELDED CONSTRUCTION

THIS DOCUMENT CONTAINS PROPRIETARY DATA OF SMT AND JCI. NO DISCLOSURE, REPRODUCTION OR USE OF ANY PART THEREOF MAY BE MADE WITHOUT WRITTEN PERMISSION. THIS IS A CAD GENERATED DRAWING. NO MANUAL CHANGES ALLOWED.

BILL OF MATERIALS			
QTY	ITEM	PART NUMBER	DESCRIPTION
1	4	MRR4-4700	RACK "F"
1	3	MRDC-105HD	DUST COVER, HEAVY DUTY
2	2	MRT-105	Z-4 RELAY RACK-FIXED SHELF, TIER
1	1	MRB-105	Z-4 RELAY RACK-FIXED SHELF, BASE

UNLESS OTHERWISE SPECIFIED DIMENSIONS ARE IN INCHES	CONTR.	JOHNSON CONTROLS, INC.
TOLERANCES FRACTIONS AND DECIMALS	DRAWN R/VG 5/28/97	SPECIALTY BATTERY
1/16" ± 0.0015	CHECKED	(TEL12-105) Z-4 MODULAR
1/32" ± 0.0010	APPROVED	SINGLE BAY SYSTEM - 3 TIER
1/64" ± 0.0005	APPROVED	W/RELAY RACK
MATERIAL:	DSON ACT APPVL	SIZE CODE IDENT NO.
FINISH:	DSON ACT APPVL	DRAWING NO.
NEXT ASSY	USED ON	D
APPLICATION	SCALE:	SBMF-3TR
		REV. -
		SHEET 1 OF 1