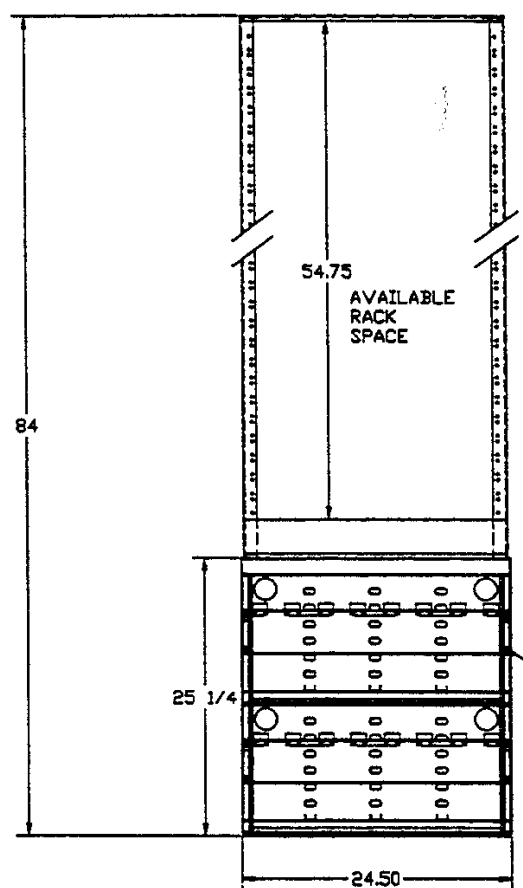
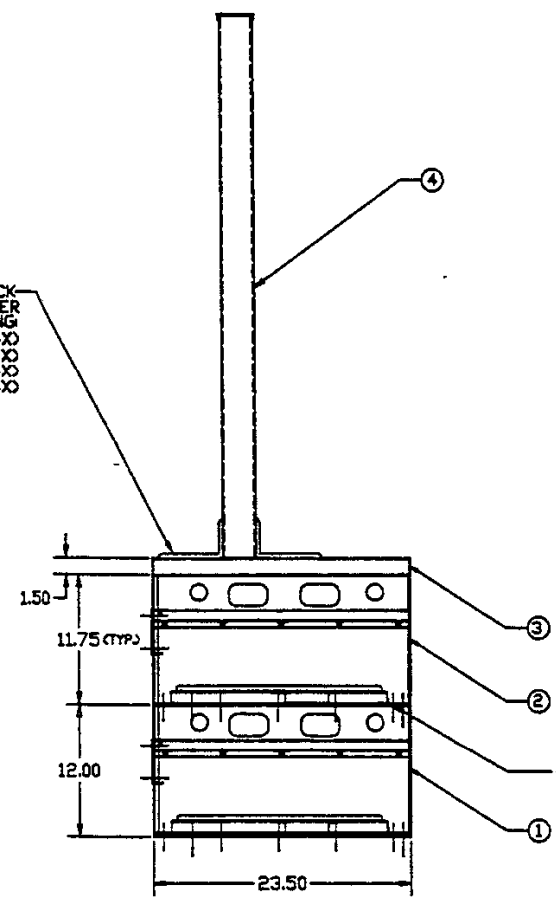
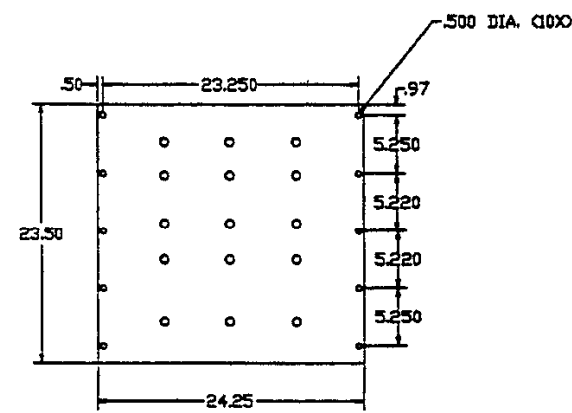


ZONE		LTR		REVISIONS		DATE	APPROVED
				DESCRIPTION			



ASSEMBLE THE RACK TO THE DUST COVER USING THE FOLLOWING:  
 #1/2-13 X 1-1/2" LG. (GRD. #5) BOLT (4X)  
 #1/2 FLATWASHER (4X)  
 #1/2 LOCKWASHER (4X)  
 #1/2-13 (GRD. #5) HEX NUT (4X)

ASSEMBLE FRONT HOLD-DOWN USING #1 1/4-14 X 1" LG. "TEK" HEX WSRHD. SELF DRILLING & TAPPING SCREW (4X PER SHELF)



ASSEMBLE DUST COVER AND SHELVES USING #3/8-16 CARRIAGE BOLTS (GRD. 5) X 1" LG. WITH A #3/8" LOCKWASHER AND #3/8-16 HEX NUT (10X PER DUST COVER) (5X PER SHELF)

NOTES:  
 FINISH-EPOXY POWDER, ASA 61 GREY

ASSEMBLY IS QUALIFIED AND CERTIFIED FOR UBC SEISMIC ZONE 4

THE RACK IS WELDED CONSTRUCTION

THIS DOCUMENT CONTAINS PROPRIETARY DATA OF SPTI AND JCL. NO DISCLOSURE, REPRODUCTION, OR USE OF ANY PART THEREOF MAY BE MADE WITHOUT WRITTEN PERMISSION. THIS IS A CAD GENERATED DRAWING. NO MANUAL CHANGES ALLOWED.

BILL OF MATERIALS			
QTY	ITEM	PART NUMBER	DESCRIPTION
1	4	MRR4-5B75	RACK "C"
1	3	MRDC-105HD	DUST COVER HEAVY DUTY
1	2	MRT-105	Z-4 RELAY RACK-FIXED SHELF, TIER
1	1	MRB-105	Z-4 RELAY RACK-FIXED SHELF, BASE

UNLESS OTHERWISE SPECIFIED DIMENSIONS ARE IN INCHES	CONTR.	JOHNSON CONTROLS, INC.	
TOLERANCES FRACTIONS DECIMALS	DRAWN R/VG 5/28/97	SPECIALTY BATTERY	
HOLE ± .010	CHECKED	(TEL12-105) Z-4 MODULAR	
3 PLACE DECIMALS ± .005	APPROVED	SINGLE BAY SYSTEM - 2 TIER	
2 PLACE DECIMALS ± .002	APPROVED	W/RELAY RACK	
MATERIAL:	DSGN ACT APPV	SIZE	CODE IDENT NO.
		D	
	GOVT ACT APPV	DRAWING NO.	REV.
		SBMF-2TR	-
NEXT ASSY USED ON	FINISH:	SCALE	SHEET 1 OF 1
APPLICATION			