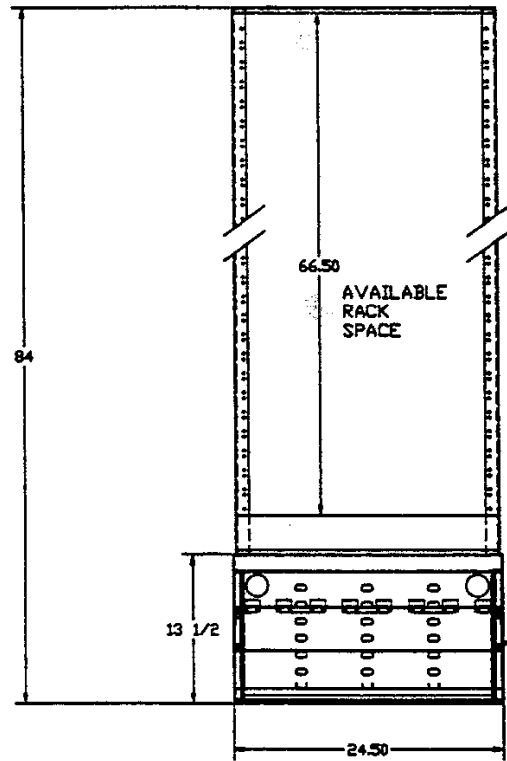


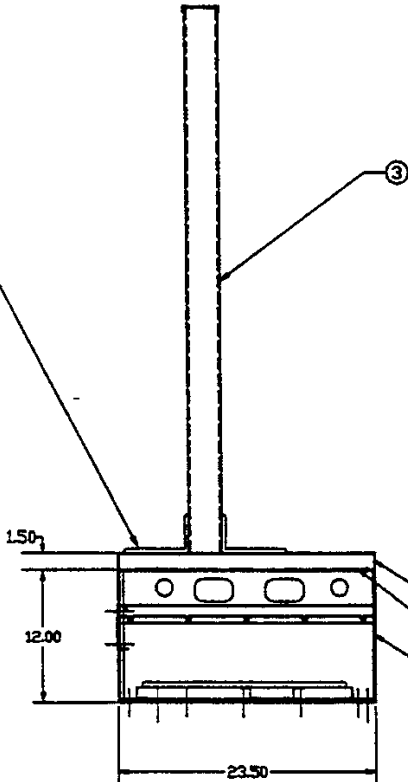
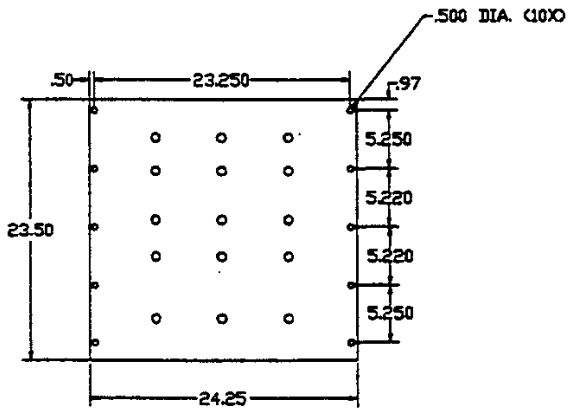
REVISIONS				
ZONE	LTR	DESCRIPTION	DATE	APPROVED



AVAILABLE RACK SPACE

ASSEMBLE THE RACK TO THE DUST COVER USING THE FOLLOWING:  
 #1/2-13 X 1-1/2" LG. (GRD. #5) BOLT (4X)  
 #1/2 FLATWASHER (4X)  
 #1/2 LOCKWASHER (4X)  
 #1/2-13 (GRD. #5) HEX NUT (4X)

ASSEMBLE FRONT HOLD-DOWN USING #1/4-14 X 1" LG. "TEK" HEX WSHRHD. SELF DRILLING & TAPPING SCREW (4X PER SHELF)



ASSEMBLE DUST COVER USING #3/8-16 CARRAGE BOLTS (GRD. #5) X 1" LG. WITH A #3/8" LOCKWASHER #3/8" FLAT WASHER AND #3/8-16 HEX NUT (10X PER DUST COVER)

NOTES:  
 FINISH-EPOXY POWDER, ASA 61 GREY

ASSEMBLY IS QUALIFIED AND CERTIFIED FOR UBC SEISMIC ZONE 4

THE RACK IS WELDED CONSTRUCTION

THIS DOCUMENT CONTAINS PROPRIETARY DATA OF SHET AND JCI. NO DISCLOSURE, REPRODUCTION OR USE OF ANY PART THEREOF MAY BE MADE WITHOUT WRITTEN PERMISSION. THIS IS A CAD GENERATED DRAWING. NO MANUAL CHANGES ALLOWED.

BILL OF MATERIALS			
QTY	ITEM	PART NUMBER	DESCRIPTION
1	3	MRR4-7050	RACK "A"
1	2	MRDC-105HD	DUST COVER, HEAVY DUTY
1	1	MRB-105	Z-4 RELAY RACK-FIXED SHELF, BASE

UNLESS OTHERWISE SPECIFIED DIMENSIONS ARE IN INCHES	CONTR.	JOHNSON CONTROLS, INC.		
UNLESS OTHERWISE SPECIFIED DIMENSIONS ARE IN MILLIMETERS	DRAWN	EVG	5/28/97	SPECIALTY BATTERY
ANGLES & 1/8"	CHECKED	(TEL12-105) Z-4 MODULAR		
3 PLACE DECIMALS & .00	APPROVED	SINGLE BAY SYSTEM - 1 TIER		
	APPROVED	W/RELAY RACK		
	DSGN ACT APPV.	SIZE	CODE IDENT NO.	DRAWING NO.
NEXT ASSY	USED ON	D		SBMF-1TR
APPLICATION	FINISH:	GOVT ACT APPV.	SCALE:	REV. --
				SHEET 1 OF 1