

BATTERY QUANTITIES AND MOUNTING HOLES

- (20) TC OR PRC-1225X USE MOUNTING HOLES #3 & #4.
- (28) TC OR PRC-1230X, 1235X USE MOUNTING HOLES #3 & #5.
- (24) TC OR PRC-1250X USE MOUNTING HOLES #3 & #5.
- (20) TC OR PRC-1285X, 1280X USE MOUNTING HOLES #1 & #4.
- (20) TC OR PRC-12100X USE MOUNTING HOLES #1 & #5.
- (20) TC OR PRC-12110X, 12120X USE MOUNTING HOLES #1 & #6.
- (20) TC OR PRC-6165X, 6200X, 6225X USE MOUNTING HOLES #1 & #4.
- (20) TC-2450X, 2550X, 2600X USE MOUNTING HOLES #1 & #4.

RACK ASSEMBLY INSTRUCTIONS

- READ ALL INSTRUCTIONS FULLY BEFORE ATTEMPTING TO INSTALL OR SET UP RACK.
- Ⓐ CHECK RECEIVED PARTS AGAINST PARTS LIST BELOW.
- Ⓑ RACK LOCATION SHOULD BE:
 1. AWAY FROM OUTSIDE SOURCES OF HEAT (DIRECT SUN-LIGHT, RADIATORS, STEAM PIPES ETC.)
 2. ON LEVEL GROUND.
 3. EASILY ACCESSIBLE FOR CELL READINGS AND WATER ADDITIONS, IF APPLICABLE (PL BATTERIES).
- Ⓒ MARK LOCATION ON FLOOR AND POSITION FRAMES.
- Ⓓ INSTALL BRACES ON TO FRAMES AND HAND TIGHTEN NUTS.
- Ⓔ INSTALL RAILS IN APPROPRIATE POSITION FOR BATTERY SYSTEM TO BE USED AND HAND TIGHTEN NUTS.
- Ⓕ CHECK THAT RAILS AND BRACES ARE IN CORRECT POSITION AND SQUARE RAIL WITH FRAME.
- Ⓖ INSTALL RAIL INSULATION ON BOTH INSIDE SURFACES OF THE RAIL MAKING SURE THEY MEET AT THE BEND IN THE RAIL.
- Ⓗ TIGHTEN ALL NUTS TO A 30 FT/LB TORQUE VALUE STARTING WITH BRACES FIRST, THEN RAILS.
- Ⓘ *BOLT FRAMES TO FLOOR. FOR UBC 97 ZONE FOUR CERTIFIED RACKS, A MINIMUM OF 6" OF SPACING IS NEEDED AROUND ALL SIDES OF RACK.
- Ⓛ USE MOUNTING HOLES #3 & 4 FOR PL-7, PL-8, PL-10, PL-11, PL-15 & PL-27 BATTERIES WHEN INSTALLING CELLS LENGTHWISE. OTHER MOUNTING HOLES MAY BE USED FOR OTHER ARRANGEMENTS WHEN SMALLER LENGTHS OF RACKS ARE REQUIRED.
- Ⓚ ALL MOUNTING SLOTS ARE 1/2" X 1" AND SUPPLIED WITH 3/8" HARDWARE KIT.
- Ⓛ ALL RACKS ARE MADE OF STEEL ANGLE SUPPORTS AND ARE PAINTED WITH A TEXTURED IBM WHITE ELECTROSTATIC POWDER COAT.

NOTE: A MINIMUM OF 6" OF SPACE IS NEEDED AROUND EACH SIDE OF RACK IN ORDER TO MEET UBC 97 SEISMIC CRITERIA.

SEISMIC ZONE	*ANCHORING COMPONENTS	SEISMIC SUPPORT BEAMS
1	4-#1/2"x6" ROD WITH E12 EPOXY CAPSULES	NOT REQUIRED
2A	4-#1/2"x6" ROD WITH E12 EPOXY CAPSULES	REQUIRED
2B	4-#1/2"x6" ROD WITH E12 EPOXY CAPSULES	REQUIRED
3	4-#1/2"x6" ROD WITH E12 EPOXY CAPSULES	REQUIRED
4	4-#1/2"x6" ROD WITH E12 EPOXY CAPSULES	REQUIRED

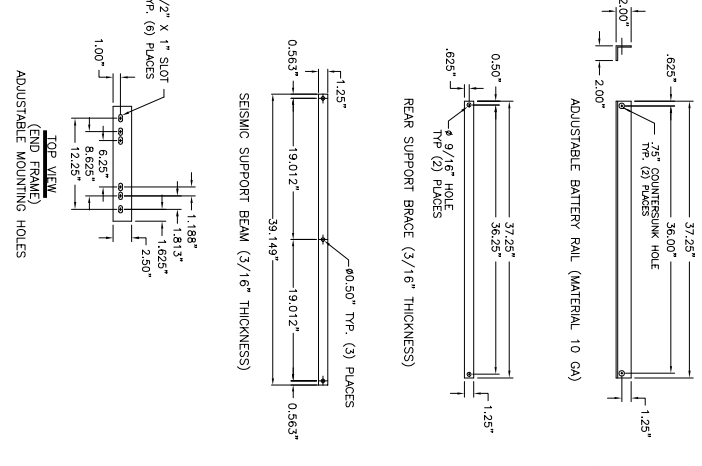
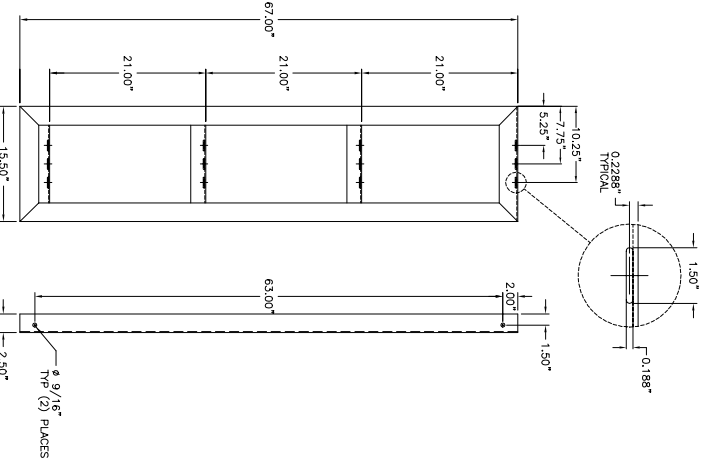
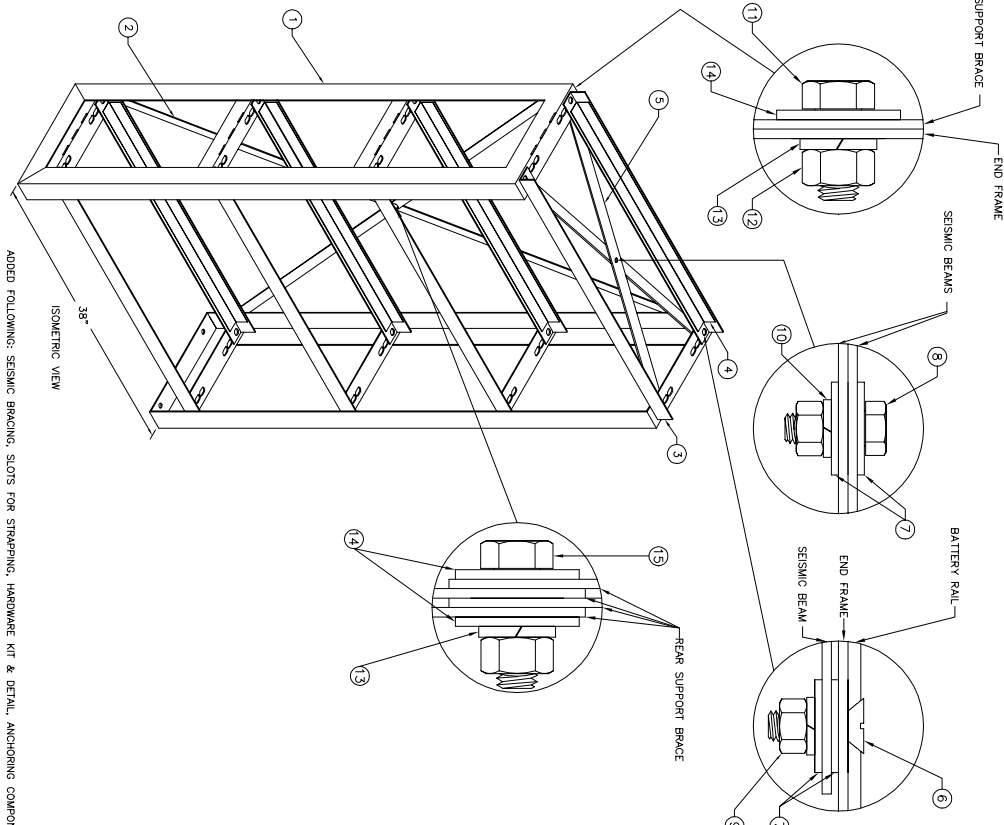
*SEE ANCHORING INSTRUCTION DRAWING AWC-9001.

HARDWARE KIT: HK-0008

15	1/2" X 1 1/2" HEX HEAD SCREW	1
14	1/2" FLAT WASHER	6
13	1/2" SPLIT LOCK WASHER	5
12	1/2" HEX NUT	5
11	1/2" X 1 1/4" HEX HEAD SCREW	4
10	3/8" SPLIT LOCK WASHER	21
9	3/8" HEX NUT	21
8	3/8" X 1 1/2" HEX HEAD SCREW	5
7	3/8" FLAT WASHER	30
6	3/8" X 1" COUNTERSUNK FLAT HEAD SCREW	16

NO.:	DESCRIPTION:	QTY.:	PART NO.:
4	SEISMIC SUPPORT BEAMS	2	RB38-SSB
5	BATTERY RAIL INSULATION KIT	1	RB38-4I-IBR
3	ADJUSTABLE BATTERY RAILS	8	RB38-ABR
2	REAR SUPPORT BRACE	4	RB38-4T-B
1	END FRAME	2	RB38-4T-RF

NO.	DATE	BY	SCALE	DESCRIPTION
5	5/15/98			
E	5/26/98	ANT M.	NONE	POWER BATTERY COMPANY INC.
F	2/14/00	ANT M.		RB38-4T ASSEMBLY DRAWING
G	3/20/00	ANT M.		FOUR TIER SEISMIC ZONE 1-4
H				CERTIFIED BATTERY RACK
I				



ADDED FOLLOWING: SEISMIC BRACING, SLOTS FOR STRAPPING, HARDWARE KIT & DETAIL, ANCHORING COMPONENTS, 1/2" HARDWARE.
 MODIFIED RACK ASSEMBLY INSTRUCTIONS PART 1, ADDED NOTE FOR 6" SPACING.
 CHANGED DIMENSIONS OF REAR SUPPORT BRACE, ADDED HIDDEN LINES TO BACK VIEW OF END FRAME.

APPROVED BY: _____ DRAWING NO.: RB38-4T{g}

POWER BATTERY COMPANY INC.
 RB38-4T ASSEMBLY DRAWING
 FOUR TIER SEISMIC ZONE 1-4
 CERTIFIED BATTERY RACK