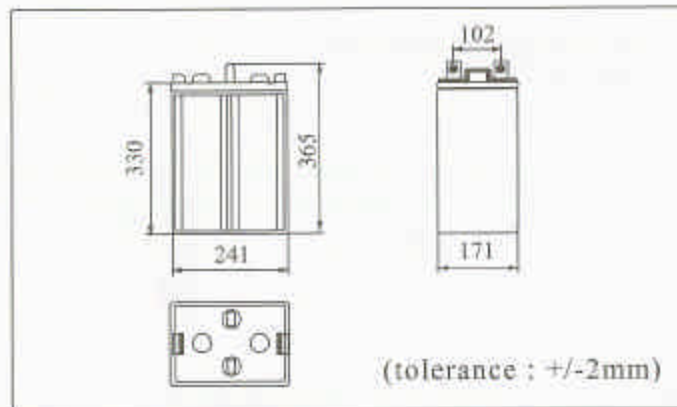


GFM500(2V500AH)

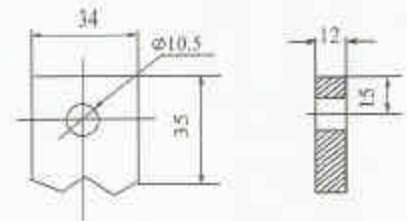
Major Application(s): Power station etc.

PHYSICAL SPECIFICATION

Nominal Voltage: Nominal Capacity(10HR)		2V 500AH
Dimension	Length	241±2mm (9.49inches)
	Width	171±2mm (6.73inches)
	Container Height	330±2mm (13.0inches)
	Total Height	365±2mm (13.6inches)
Weight		Approx. 36.Kg (79.3 lbs)
Standard Terminal		B3(Bolt-and-nut lead Terminal) Bolt Type : M10



B3 (Bolt-and-nut lead terminal)
Bolt Type: M10



ELECTRICAL SPECIFICATION

Capacity	20 hour rate(25A)	525Ah	It is recommended to use constant-voltage charge and recharge immediately after use
	10 hour rate(50A)	500Ah	
Capacity affected by temperature	5 hour rate(85A)	425Ah	Constant-Voltage Charge
	3 hour rate(125A)	375Ah	
	1hour rate(300A)	300Ah	Standby
	40 °C (104°F)	102%	
25 °C (77°F)	100%		
0 °C (32°F)	85%		
Internal Resistance	Fully charged battery(25 °C, 77°F)1.5mΩ		

