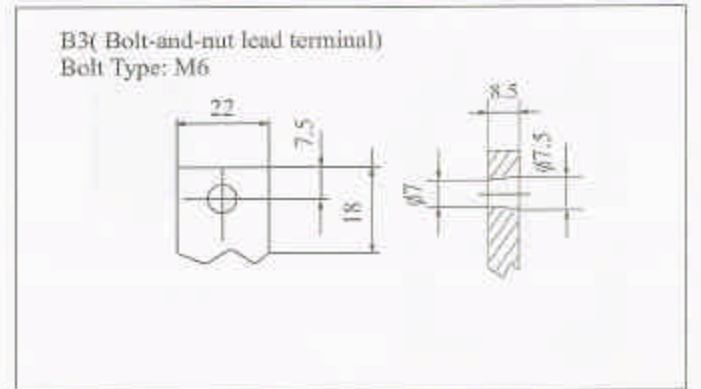
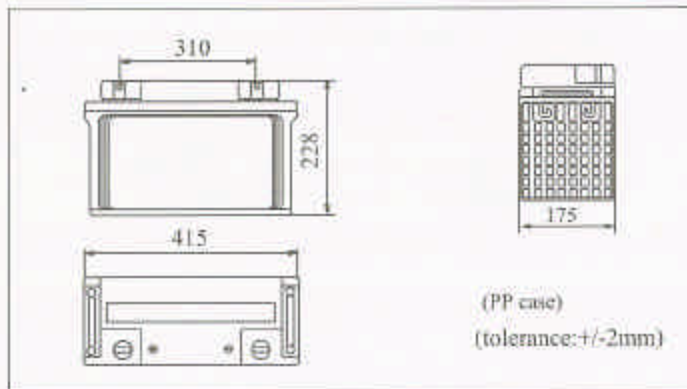


## 6GFM90(12V90AH)

Major Application(s): Telecommunication system etc.

### PHYSICAL SPECIFICATION

Nominal Voltage		12V
Nominal Capacity(10HR)		90AH
Dimension	Length	415±2mm (16.34inches)
	Width	175±2mm (6.89inches)
	Container Height	228±2mm (8.98inches)
	Total Height	228±2mm (8.98inches)
Weight		Approx 31.5Kg (69.4 lbs)
Standard Terminal		B3 (Bolt & nuts Terminal) Bolt Type: M6



### ELECTRICAL SPECIFICATION

Capacity	20 hour rate(4.5A)	94.5Ah	<p>It is recommended to use constant-voltage charge and recharge immediately after use</p> <table border="1"> <tr> <td rowspan="2">Constant-Voltage-Charge</td> <td>Cycle</td> <td>Initial Charging Current less than 22.5A Voltage 14.1V-14.4V at 25°C (77°F) Temperature Coefficient -18mV/°C</td> </tr> <tr> <td>Standby</td> <td>No limit on Initial Charging Current Voltage 13.5V-13.8V at 25°C (77°F) Temperature Coefficient -18mV/°C</td> </tr> </table>	Constant-Voltage-Charge	Cycle	Initial Charging Current less than 22.5A Voltage 14.1V-14.4V at 25°C (77°F) Temperature Coefficient -18mV/°C	Standby	No limit on Initial Charging Current Voltage 13.5V-13.8V at 25°C (77°F) Temperature Coefficient -18mV/°C
	Constant-Voltage-Charge	Cycle			Initial Charging Current less than 22.5A Voltage 14.1V-14.4V at 25°C (77°F) Temperature Coefficient -18mV/°C			
Standby		No limit on Initial Charging Current Voltage 13.5V-13.8V at 25°C (77°F) Temperature Coefficient -18mV/°C						
	10 hour rate(9A)	90Ah						
	5 hour rate(15.3A)	76.5Ah						
	3 hour rate(22.5A)	67.5Ah						
	1hour rate(54A)	54Ah						
Capacity affected by temperature	40°C (104°F)	102%						
	25°C (77°F)	100%						
	0°C (32°F)	85%						
Internal Resistance	Fully charged battery(25°C, 77°F) 5mΩ							

