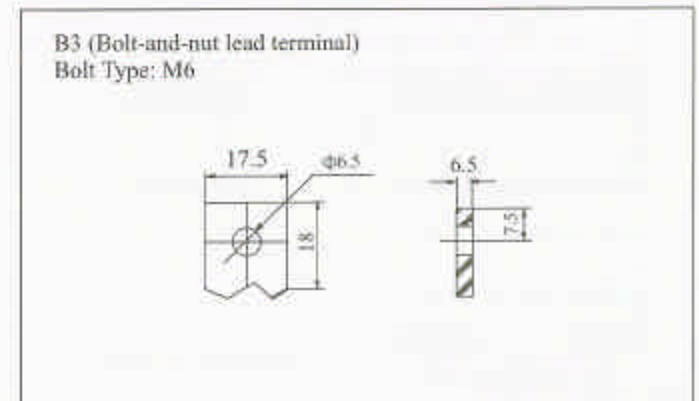
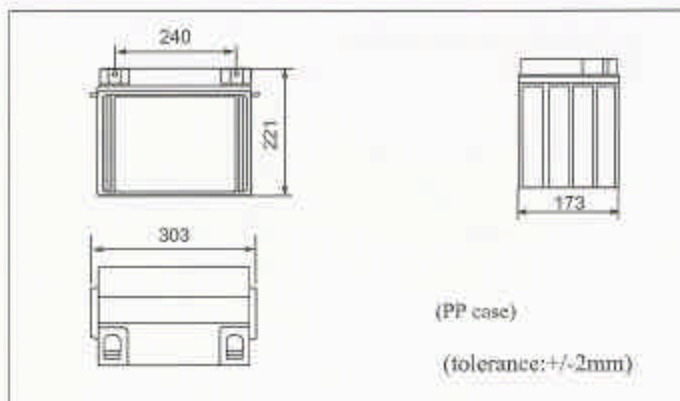


PHYSICAL SPECIFICATION

Nominal Voltage Nominal Capacity(10HR)		12V 70AH
Dimension	Length	303±2mm (11.9inches)
	Width	173±2mm (6.81 inches)
	Container Height	221±2mm (8.70inches)
	Total Height	221±2mm (8.70inches)
Weight		Approx 26.5Kg (58.4 lbs)
Standard Terminal		B3(Bolt & nuts Terminal) Bolt Type:M6



ELECTRICAL SPECIFICATION

Capacity	20 hour rate(3.5A)	73.5Ah	It is recommended to use constant-voltage charge and recharge immediately after use		
	10 hour rate(7A)	70Ah			
Capacity affected by temperature	5 hour rate(11.9A)	59.5Ah			
	3 hour rate(17.5A)	52.5Ah			
	1hour rate(42A)	42Ah			
Internal Resistance	40°C (104°F)	102%	Constant-Voltage Charge	Cycle	Initial Charging Current less than 17.5A Voltage 14.1V-14.4V at 25°C (77°F) Temperature Coefficient -18mV/°C
	25°C (77°F)	100%			Standby
	0°C (32°F)	85%			

