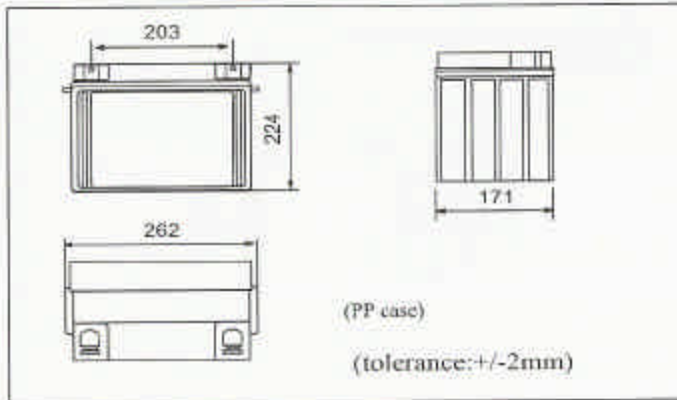
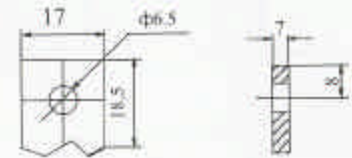


PHYSICAL SPECIFICATION

Nominal Voltage		12V
Nominal Capacity(10HR)		50AH
Dimension	Length	262±2mm (10.3inches)
	Width	171±2mm (6.73 inches)
	Container Height	224±2mm (8.82inches)
	Total Height	224±2mm (8.82inches)
Weight		Approx 19.5Kg (42.9 lbs)
Standard Terminal		B3(Bolt & nuts Terminal) Bolt Type:M6



B3 (Bolt-and-nut lead terminal)
Bolt Type: M6



ELECTRICAL SPECIFICATION

Capacity	20 hour rate(2.5A)	52.5Ah
	10 hour rate(5A)	50Ah
	5 hour rate(8.5A)	42.5Ah
	3 hour rate(12.5A)	37.5Ah
	1 hour rate(30A)	30Ah
Capacity affected by temperature	40°C (104°F)	102%
	25°C (77°F)	100%
	0°C (32°F)	85%
Internal Resistance	Fully charged battery(25°C, 77°F)6mΩ	

It is recommended to use constant-voltage charge and recharge immediately after use

Constant-Voltage Charge	Cycle	Initial Charging Current less than 12.5A Voltage 14.1V-14.4V at 25°C (77°F) Temperature Coefficient -18mV/°C
	Standby	No limit on Initial Charging Current Voltage 13.5V-13.8V at 25°C (77°F) Temperature Coefficient -18mV/°C

