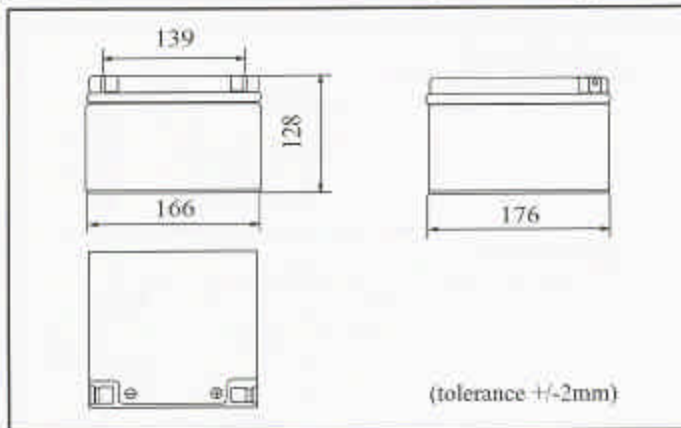
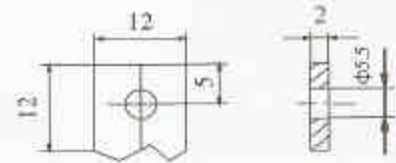


### PHYSICAL SPECIFICATION

|                        |                  |   |
|------------------------|------------------|---|
| Nominal Voltage        |                  | 12V                                       |
| Nominal Capacity(20HR) |                  | 26AH                                      |
| Dimension              | Length           | 166±2mm (6.54 inches)                     |
|                        | Width            | 176±2mm (6.93inches)                      |
|                        | Container Height | 128±2mm (5.04 inches)                     |
|                        | Total Height     | 128±2mm (5.04 inches)                     |
| Weight                 |                  | Approx 8.7Kg (19.2 lbs)                   |
| Standard Terminal      |                  | B3(Bolt & nuts Terminal)<br>Bolt Type: M5 |



B3 (Bolt-and-nut lead terminal)  
Bolt Type: M5



### ELECTRICAL SPECIFICATION

|                                  |                                       |        |
|----------------------------------|---------------------------------------|--------|
| Capacity                         | 20 hour rate(1.3A)                    | 26Ah   |
|                                  | 10 hour rate(2.5A)                    | 25Ah   |
|                                  | 5 hour rate(4.3A)                     | 21.5Ah |
|                                  | 3 hour rate(6.3A)                     | 18.9Ah |
|                                  | 1hour rate(15A)                       | 15Ah   |
| Capacity affected by temperature | -40°C (104°F)                         | 102%   |
|                                  | 25°C (77°F)                           | 100%   |
|                                  | 0°C (32°F)                            | 85%    |
| Internal Resistance              | Fully charged battery(25°C, 77°F)10mΩ |        |

It is recommended to use constant-voltage charge and recharge immediately after use

|                         |         |   |
|-------------------------|---------|---|
| Constant-Voltage Charge | Cycle   | Initial Charging Current less than 6.5A<br>Voltage 14.1V-14.4V at 25°C (77°F)<br>Temperature Coefficient -18mV/°C |
|                         | Standby | No limit on Initial Charging Current<br>Voltage 13.5V-13.8V at 25°C (77°F)<br>Temperature Coefficient -18mV/°C    |

