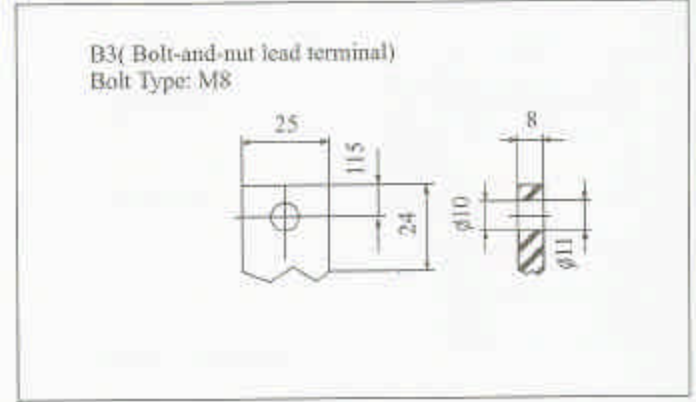
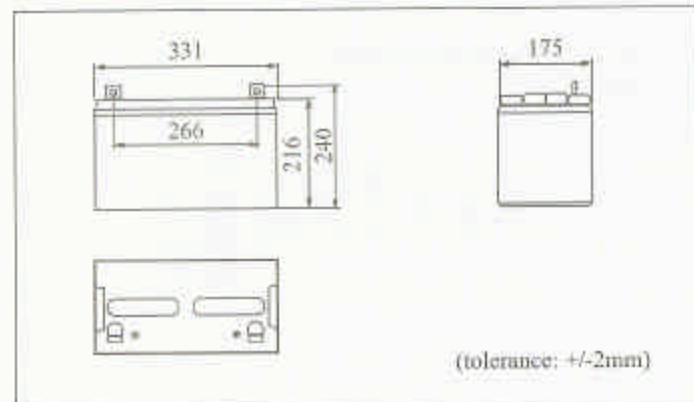


6GFM120(12V120AH)

Major Application(s): Big UPS etc.

PHYSICAL SPECIFICATION

Nominal Voltage		12V
Nominal Capacity(10HR)		120AH
Dimension	Length	331±2mm (13.03inches)
	Width	175±2mm (6.89 inches)
	Container Height	216±2mm (8.50inches)
	Total Height	240±2mm (9.45inches)
Weight		Approx 33.5Kg (73.8 lbs)
Standard Terminal		B3(Bolt & nuts Terminal) Bolt Type: M8



ELECTRICAL SPECIFICATION

Capacity	20 hour rate(6A)	120Ah	It is recommended to use constant-voltage charge and recharge immediately after use
	10 hour rate(12A)	114Ah	
5 hour rate(19.4A)	97Ah		
3 hour rate(28.5A)	85.5Ah		
1hour rate(68.4A)	68.4Ah		
Capacity affected by temperature	40°C (104°F)	102%	Constant-Voltage Charge Cycle Initial Charging Current less than 30A Voltage 14.1V-14.4V at 25°C (77°F) Temperature Coefficient -18mV/°C
	25°C (77°F)	100%	
	0°C (32°F)	85%	Standby No limit on Initial Charging Current Voltage 13.5V-13.8V at 25°C (77°F) Temperature Coefficient -18mV/°C
Internal Resistance	Fully charged battery(25°C, 77°F)4mΩ		

