

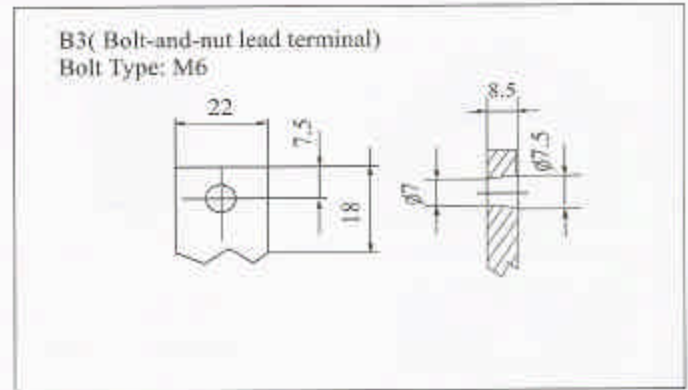
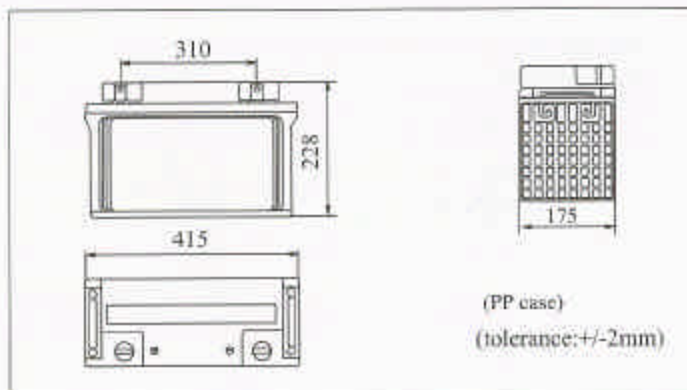
## 6GFM100(12V100AH)

Major Application(s): Telecommunication system etc.

CE . RU MH 26335

### PHYSICAL SPECIFICATION

Nominal Voltage Nominal Capacity(10HR)		12V 100AH
Dimension	Length	415±2mm (16.34inches)
	Width	175±2mm (6.89 inches)
	Container Height	228±2mm (8.98inches)
	Total Height	228±2mm (8.98inches)
Weight		Approx 31.5Kg (69.4 lbs)
Standard Terminal		B3(Bolt & nuts Terminal) Bolt Type:M6



### ELECTRICAL SPECIFICATION

Capacity	20 hour rate(5A)	105Ah	It is recommended to use constant-voltage charge and recharge immediately after use					
	10 hour rate(10A)	100Ah						
	5 hour rate(17A)	85Ah						
	3 hour rate(25A)	75Ah						
	1hour rate(60A)	60Ah						
Capacity affected by temperature	40°C (104°F)	102%	<table border="1"> <tr> <td rowspan="2">Constant-Voltage Charge</td> <td>Cycle</td> <td>Initial Charging Current less than 25A Voltage 14.1V-14.4V at 25°C (77°F) Temperature Coefficient -18mV/°C</td> </tr> <tr> <td>Standby</td> <td>No limit on Initial Charging Current Voltage 13.5V-13.8V at 25°C (77°F) Temperature Coefficient -18mV/°C</td> </tr> </table>	Constant-Voltage Charge	Cycle	Initial Charging Current less than 25A Voltage 14.1V-14.4V at 25°C (77°F) Temperature Coefficient -18mV/°C	Standby	No limit on Initial Charging Current Voltage 13.5V-13.8V at 25°C (77°F) Temperature Coefficient -18mV/°C
	Constant-Voltage Charge	Cycle			Initial Charging Current less than 25A Voltage 14.1V-14.4V at 25°C (77°F) Temperature Coefficient -18mV/°C			
		Standby		No limit on Initial Charging Current Voltage 13.5V-13.8V at 25°C (77°F) Temperature Coefficient -18mV/°C				
25°C (77°F)	100%							
0°C (32°F)	85%							
Internal Resistance	Fully charged battery(25°C, 77°F) 5mΩ							

