

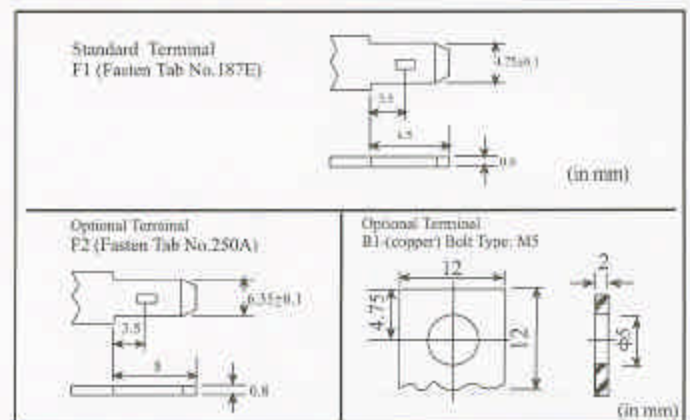
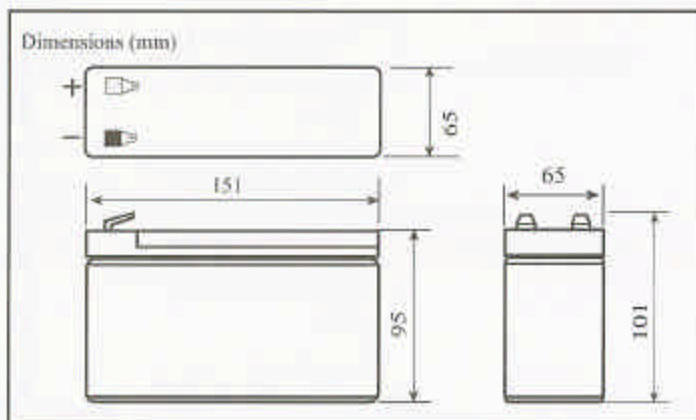
6FMH7A(12V8AH)

Major Application(s): UPS, High-rate discharge application



PHYSICAL SPECIFICATION

Nominal Voltage		12V
Nominal Capacity(20HR)		8AH
Dimension	Length	151±1mm (5.94inches)
	Width	65±1mm (2.56 inches)
	Container Height	95±2mm (3.74 inches)
	Total Height	100±2mm (3.98 inches)
Weight		Approx 2.7Kg (5.95 lbs)
Standard Terminal		F2 -Fasten Tab No.250A



ELECTRICAL SPECIFICATION

Capacity	20 hour rate(0.4A)	8Ah
	10 hour rate(0.8A)	7.6Ah
	5 hour rate(1.28A)	6.8Ah
	1 hour rate(4.8A)	4.8Ah
Capacity affected by temperature	40 °C (104°F)	105%
	20 °C (68°F)	100%
	0 °C (32°F)	85%
Internal Resistance	Fully charged battery(20 °C , 68°F) 25mΩ	

It is recommended to use constant-voltage charge and recharge immediately after use.		
Constant-Voltage Charge	Cycle	Initial Charging Current less than 2.4A Voltage 14.4V-15.0V at 20°C (68°F) Temperature Coefficient -30mV/°C
	Standby	Voltage 13.5V-13.8V at 20°C (68°F) Temperature Coefficient -20mV/°C

