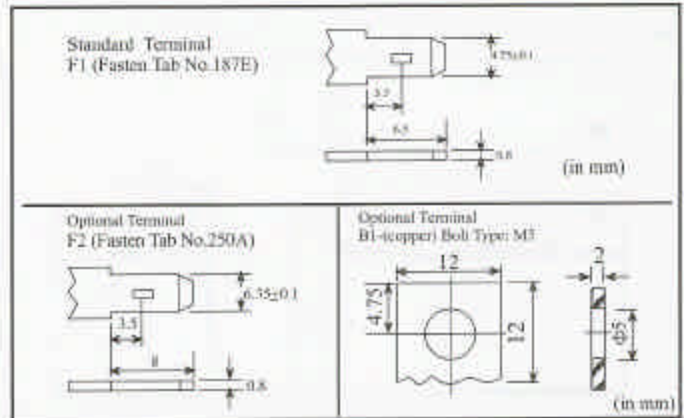
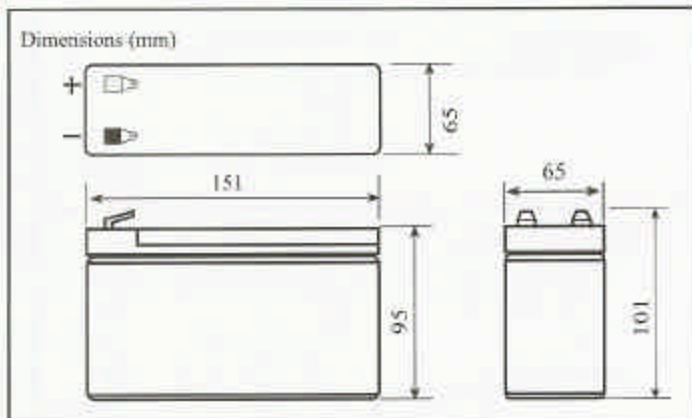


### PHYSICAL SPECIFICATION

Nominal Voltage		12V
Nominal Capacity(20HR)		7AH
Dimension	Length	151±1mm (5.94inches)
	Width	65±1mm (2.56 inches)
	Container Height	95±2mm (3.74 inches)
	Total Height	101±2mm (3.98 inches)
Weight		Approx. 2.55Kg (5.62 lbs)
Standard Terminal		F1-Fasten Tab No.187E



### ELECTRICAL SPECIFICATION

Capacity	20 hour rate(0.35A)	7Ah	It is recommended to use constant-voltage charge and recharge immediately after use		
	10 hour rate(0.7A)	6.65Ah			
	5 hour rate(1.12A)	5.95Ah			
	1 hour rate(4.2A)	4.20Ah			
Capacity affected by temperature	40 °C (104°F)	105%	Constant-Voltage Charge	Cycle	Initial Charging Current less than 2.16A Voltage 14.4V-15.0V at 20°C (68°F) Temperature Coefficient -30mV/°C
	20 °C (68°F)	100%		Standby	Standby
	0 °C (32°F)	85%			
Internal Resistance	Fully charged battery(20 °C, 68°F) 25mΩ				

