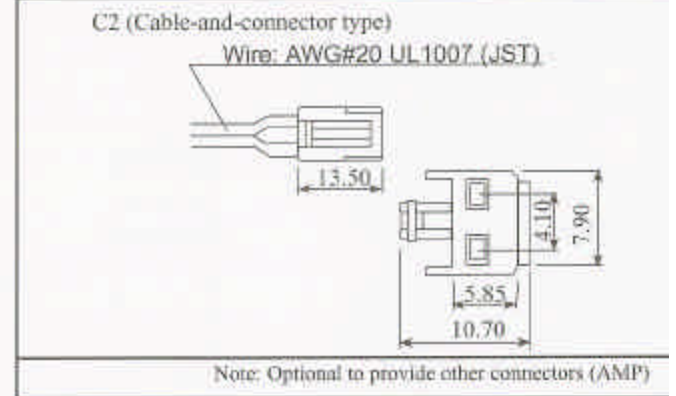
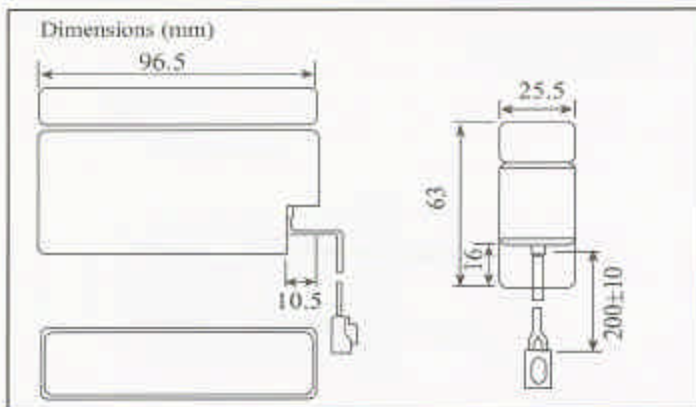


### PHYSICAL SPECIFICATION

Nominal Voltage Nominal Capacity(20HR)		12V 0.8AH
Dimension	Length	96.5±1mm (3.8 inches)
	Width	25.5±1mm (1 inches)
	Container Height	63±2mm (2.47 inches)
	Total Height	63±2mm (2.47 inches)
Weight		Approx. 0.35Kg (0.77 lbs)
Standard Terminal		C2-Wire and Connector Type



### ELECTRICAL SPECIFICATION

Capacity	20 hour rate(0.04A)	0.8Ah
	10 hour rate(0.08A)	0.76Ah
	5 hour rate(0.128A)	0.68Ah
	1 hour rate(0.48A)	0.48Ah
Capacity affected by temperature	40 °C (104°F)	105%
	20 °C (68°F)	100%
	0 °C (32°F)	85%
Internal Resistance	Fully charged battery(20 °C, 68°F)10mΩ	

It is recommended to use constant-voltage charge and recharge immediately after use		
Constant-Voltage Charge	Cycle	Initial Charging Current less than 2.16A Voltage 14.4-15V at 20°C (68°F) Temperature Coefficient -30mV/°C
	Standby	Voltage 13.5-13.8V at 20°C (68°F) Temperature Coefficient -20mV/°C

