



# FIAMM



FIAMM's **Monolite 4SLA150** valve-regulated, lead-acid battery is specifically designed to meet and exceed the exacting specifications of the Telecommunications industry. This "purpose-built" design philosophy, coupled with industry-leading manufacturing technology, ensures product consistency and reliable performance in a battery ideally suited to Telecommunications applications:

- 12-year plus design life
- Has passed the stringent Telcordia (Bellcore) 10-year accelerated life tests
- Good Energy Density
- Good Low-Rate Performance
- Easy Handling and Installation
- Safe Operation and Ease of Testing
- No Water Addition Needed

The FIAMM **Monolite 4SLA150** battery has a proven track record of exceptional performance in many parts of the network. With its traditional top-terminal design, it is ideally suited for applications utilizing roll-out trays or drawers such as Remote Terminals cabinets, Huts, CEV's, and Central Offices.

# Monolite

## Model 4 SLA 150

4-volt, 150Ah

### DESIGN FEATURES

- ▶ **Plates and Grids:** extra-thick plates with grids cast from high purity lead-calcium-tin alloy ensure long and reliable life
- ▶ **Separator:** microporous glass mat facilitates recombination and immobilizes the electrolyte
- ▶ **Internal Connections:** heavy-duty internal straps and through-the-partition cell connections minimize internal resistance for increased energy density
- ▶ **Terminals:** threaded post terminals with brass inserts provide for high conductivity and maximum torque retention
- ▶ **Post Seals:** state-of-the-art post seals prevent seepage over a wide temperature range
- ▶ **Safety Valve:** each cell has its own one-way valve that opens at 5 psi and closes at 3 psi to allow excess gas to escape in case of over-charging
- ▶ **Flame Arrestor:** lets excess gas out while preventing any errant spark or flame from entering the battery
- ▶ **Container and Cover:** made from thick-walled ABS plastic and designed for unsurpassed mechanical strength, the cases and covers have an LOI greater than 28% and meet the flame retardancy standards of UL 94 V-0
- ▶ **Handles:** handles integrated into the cover to aid in handling, installing and removing the batteries

### STANDARDS COMPLIANCE

The 4SLA150 meets the requirements of the following industry standards:

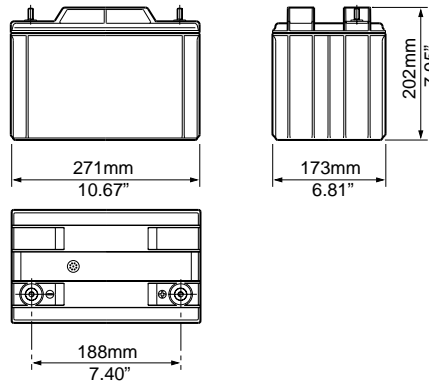
- ▶ ANSI T1.330-1997
- ▶ British Standard BS 6290 Part 4
- ▶ British Standard 6334 method FV0
- ▶ Eurobat Guide - 12 years and longer "long life"
- ▶ IEC 707 FV0
- ▶ IEC 896 Part 2
- ▶ Telcordia (Bellcore) SR-4228
- ▶ Telcordia (Bellcore) TR-NWT-000766
- ▶ Telcordia (Bellcore) TR-NWT-000909
- ▶ Telcordia (Bellcore) TR-NWT-001200
- ▶ UL 1778
- ▶ UL 94 Class V-0
- ▶ UL Recognized

Telecommunications Standby Batteries



# Monolite Model 4 SLA 150

1394793  
07.02



### DISCHARGE AMPERES FOR 4 SLA 150 AT 77°F (25°C)

V/cell	HOURS										
	1	2	3	4	5	6	7	8	10	12	20
1.65	102	57.9	41.7	33.1	27.7	24.1	21.3	19.1	15.8	13.3	8.34
1.70	101	57.2	41.5	33.0	27.6	24.0	21.2	19.0	15.7	13.2	8.30
1.75	98.3	56.5	41.1	32.7	27.4	23.8	21.1	18.9	15.6	13.1	8.24
1.80	95.8	55.3	40.6	32.4	27.2	23.7	20.9	18.8	15.2	13.0	8.15
1.85	92.8	52.8	38.0	30.1	25.4	22.4	19.9	17.8	14.7	12.4	7.82
1.88	89.6	51.1	36.6	29.0	24.5	21.2	18.7	16.7	13.7	11.6	7.24

### DISCHARGE WATTS PER CELL FOR 4 SLA 150 AT 77°F (25°C)

V/cell	HOURS										
	1	2	3	4	5	6	7	8	10	12	20
1.65	187	107	78.2	62.5	52.4	45.6	40.4	36.3	29.8	25.2	15.8
1.70	187	107	78.1	62.4	52.4	45.6	40.4	36.2	29.7	25.1	15.7
1.75	185	107	78.1	62.4	52.3	45.5	40.3	36.2	29.7	25.1	15.7
1.80	182	106	78.0	62.3	52.3	45.5	40.3	36.2	29.7	25.1	15.7
1.85	179	103	74.1	58.8	49.6	43.6	38.8	34.8	28.8	24.3	15.3
1.88	175	100	72.0	57.1	48.2	41.8	36.9	32.9	27.1	22.8	14.3

### TECHNICAL SPECIFICATIONS

- ▶ **Capacities:** 150 AH at C8 to 1.75 VPC at 25°C
- ▶ **Recommended Float Voltage:** 4.52 V at 25°C
- ▶ **Temperature Compensation:** -5mV/°C
- ▶ **Maximum Charge Current:** 38 A
- ▶ **Self-Discharge at 77°F (25°C):** <2% per month
- ▶ **Short Circuit Current:** 5000 A
- ▶ **Internal Resistance:** 0.7 mohm
- ▶ **Weight:** 44.53 lb. (20.2 kg)
- ▶ **Terminals:** M8
- ▶ **Terminal Torque:** 65-70 in. lbs (7.3-8.0 Nm)



**FIAMM**  
www.fiammamerica.com

FIAMM Technologies, Inc.  
One FIAMM Way  
Waynesboro, GA 30830  
Tel. 888-77-FIAMM (888-773-4266)