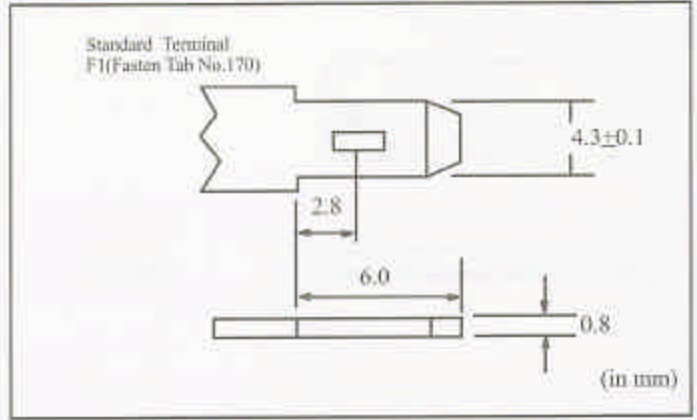
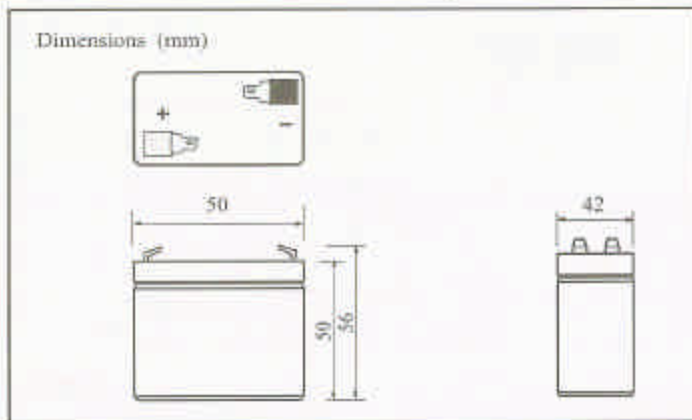


### PHYSICAL SPECIFICATION

Nominal Voltage		6V
Nominal Capacity(20HR)		1.2AH
Dimension	Length	50±1mm (1.97 inches)
	Width	42±1mm (1.65 inches)
	Container Height	50±1mm (1.97 inches)
	Total Height	56±2mm (2.20 inches)
Weight		Approx. 0.26Kg (0.57 lbs)
Standard Terminal		F1-Fasten Tab No.170



### ELECTRICAL SPECIFICATION

Capacity	20 hour rate(0.065A)	1.2Ah	It is recommended to use constant-voltage charge and recharge immediately after use		
	10 hour rate(0.12A)	1.14Ah			
	5 hour rate(0.19A)	1.02Ah			
	1 hour rate(0.72A)	0.72Ah			
Capacity affected by temperature	40°C (104°F)	105%	Constant-Voltage Charge	Cycle	Initial Charging Current less than 0.36A
	20°C (68°F)	100%			Voltage 7.20-7.50V at 20°C (68°F)
	0°C (32°F)	85%	Standby	Voltage 6.75-6.90V at 20°C (68°F)	Temperature Coefficient -10mV/°C
Internal Resistance	Fully charged battery(20°C, 68°F)25mΩ				

